

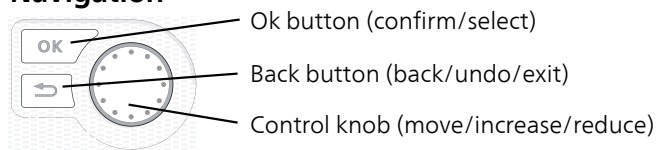


Installer manual  
**NIBE F730**  
Exhaust air heat pump

IHB EN 1803-1  
431700

## Quick guide

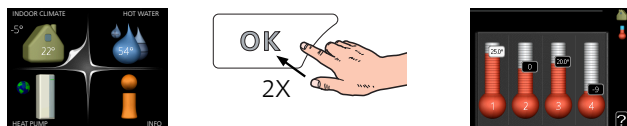
### Navigation



A detailed explanation of the button functions can be found on page 33.

How to scroll through menus and make different settings is described on page 35.

### Set the indoor climate



The mode for setting the indoor temperature is accessed by pressing the OK button twice, when in the start mode in the main menu.

### Increase hot water volume



To temporarily increase the amount of hot water, first turn the control knob to mark menu 2 (water droplet) and then press the OK button twice.

# Table of Contents

<b>1 Important information</b>	<b>4</b>	<b>8 Control - Menus</b>	<b>37</b>
Safety information	4	Menu 1 - INDOOR CLIMATE	37
General	5	Menu 2 - HOT WATER	37
		Menu 3 - INFO	37
<b>2 Delivery and handling</b>	<b>7</b>	Menu 4 - HEAT PUMP	38
Transport	7	Menu 5 - SERVICE	39
Assembly	7		
Supplied components	8	<b>9 Service</b>	<b>45</b>
Removing the covers	8	Maintenance	45
Removing parts of the insulation	9	Service actions	45
<b>3 The heat pump design</b>	<b>10</b>	<b>10 Disturbances in comfort</b>	<b>49</b>
Pipe connections	11	Info-menu	49
HVAC components	11	Manage alarm	49
Sensors etc.	11	Troubleshooting	49
Electrical components	11		
Cooling components	11	<b>11 Accessories</b>	<b>51</b>
Ventilation	11		
Miscellaneous	11	<b>12 Technical data</b>	<b>52</b>
		Dimensions and setting-out coordinates	52
<b>4 Pipe and ventilation connections</b>	<b>12</b>	Technical specifications	54
General pipe connections	12	Energy labelling	56
Dimensions and pipe connections	13	Electrical circuit diagram	58
Symbol key	14		
Cold and hot water	14	<b>Item register</b>	<b>64</b>
Heating medium side	14		
Installation alternative	15	<b>Contact information</b>	<b>67</b>
General ventilation connection	18		
Ventilation flow	18		
Adjusting ventilation	18		
Dimension and ventilation connections	18		
<b>5 Electrical connections</b>	<b>19</b>		
General	19		
Connections	21		
Settings	23		
Optional connections	25		
Connecting accessories	28		
<b>6 Commissioning and adjusting</b>	<b>29</b>		
Preparations	29		
Filling and venting	29		
Start-up and inspection	30		
<b>7 Control - Introduction</b>	<b>33</b>		
Display unit	33		
Menu system	34		

# 1 Important information

## Safety information

This manual describes installation and service procedures for implementation by specialists.

The manual must be left with the customer.

This appliance can be used by children aged from 8 years and above and persons with reduced physical, sensory or mental capabilities or lack of experience and knowledge if they have been given supervision or instruction concerning use of the appliance in a safe way and understand the hazards involved. Children shall not play with the appliance. Cleaning and user maintenance shall not be made by children without supervision.

Rights to make any design or technical modifications are reserved.

©NIBE 2017.

## Marking

**CE** The CE mark is obligatory for most products sold in the EU, regardless of where they are made.

**IP21** Classification of enclosure of electro-technical equipment.



Read the User Manual.



Read the Installer Manual.

## Symbols



### NOTE

This symbol indicates danger to person or machine.



### Caution

This symbol indicates important information about what you should observe when maintaining your installation.



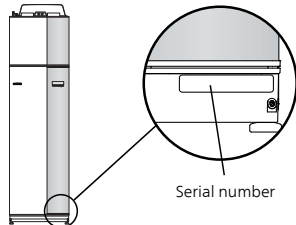
### TIP

This symbol indicates tips on how to facilitate using the product.

## General

### Serial number

The serial number can be found at the bottom right of the front cover and in the info menu (menu 3.1).



#### Caution

You need the product's (14 digit) serial number for servicing and support.

### Recovery



Leave the disposal of the packaging to the installer who installed the product or to special waste stations.

Do not dispose of used products with normal household waste. It must be disposed of at a special waste station or dealer who provides this type of service.

Improper disposal of the product by the user results in administrative penalties in accordance with current legislation.

### Environmental information

This unit contains a fluorinated greenhouse gas that is covered by the Kyoto agreement.

#### ***F-Gas Regulation (EU) No. 517/2014***

The equipment contains R407C, a fluorinated greenhouse gas with a GWP value (Global Warming Potential) of 1774. Do not release R407C into the atmosphere.

## Inspection of the installation

Current regulations require the heating installation to be inspected before it is commissioned. The inspection must be carried out by a suitably qualified person. In addition, fill in the page for the installation data in the User Manual.

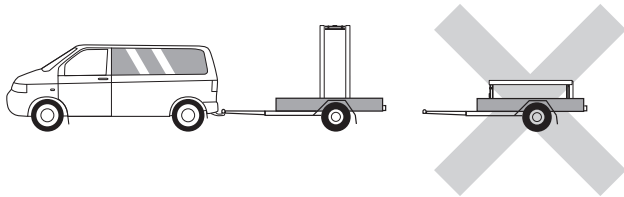
✓	Description	Notes	Signature	Date
	Ventilation (page 18)			
	Setting ventilation flow exhaust air			
	Heating medium (page 14)			
	System flushed			
	System vented			
	Safety valve			
	Pressure in the climate system			
	Hot water (page 14)			
	Mixing valve			
	Safety valve			
	Electricity (page 19)			
	Connections			
	Main voltage			
	Phase voltage			
	Fuses heat pump			
	Fuses property			
	Outside sensor			
	Room sensor			
	Safety breaker			
	Earth circuit-breaker			

## 2 Delivery and handling

### Transport

F730 is supplied in two sections and can be installed separately or as one unit. The images in this manual show F730 installed as one unit. For more information see page 15.

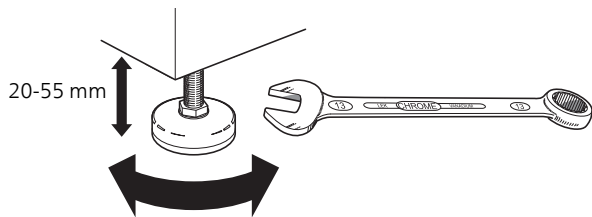
F730 should be transported and stored vertically in a dry place. However, the F730 may be carefully laid on its back when being moved into a building. The centre of gravity is in the upper part.



### Assembly

- Position F730 on a fixed foundation that can take the weight of the heat pump. Use the product's adjustable feet to obtain a horizontal and stable set-up.

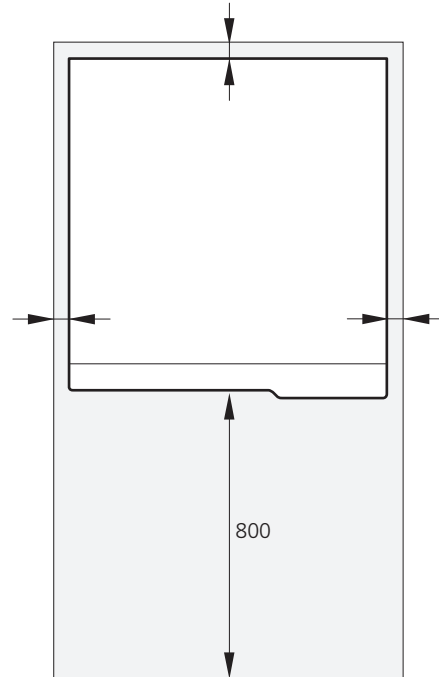
Because water comes from F730, the floor coating is important. A waterproof floor or floor membrane is recommended.



- Because water comes from F730, it is good if the area where the heating pump is located is provided with floor drainage.
- Install with its back to an outside wall, ideally in a room where noise does not matter, in order to eliminate noise problems. If this is not possible, avoid placing it against a wall behind a bedroom or other room where noise may be a problem.
- Wherever the unit is located, walls to sound sensitive rooms should be fitted with sound insulation.
- Route pipes so they are not fixed to an internal wall that backs on to a bedroom or living room.
- The heat pump's installation area should always have a temperature of at least 10 °C and max 30 °C.

### Installation area

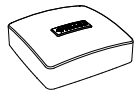
Leave a free space of 800 mm in front of the product. Leave free space between F730 and wall/other machinery/fittings/cables/pipes etc. It is recommended that a space of at least 10 mm is left to reduce the risk of noise and of any vibrations being propagated.



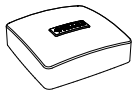
#### NOTE

Ensure that there is sufficient space (300 mm) above the heat pump for installing ventilation hoses.

## Supplied components



Outside sensor



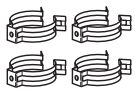
Room sensor



Vent hose  
(length 4 m)



Extra air filter



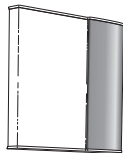
Clips



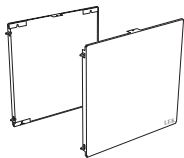
Screw



O-rings



Front hatch,  
air treatment section



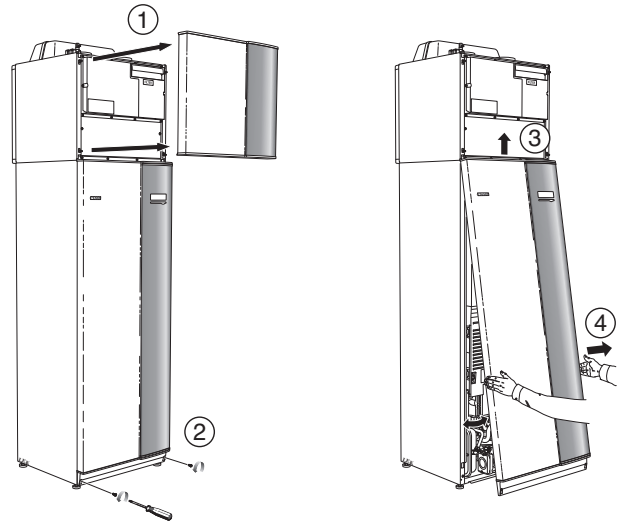
Side panels,  
air treatment unit

### Location

The kit of supplied items is placed on top of the product.

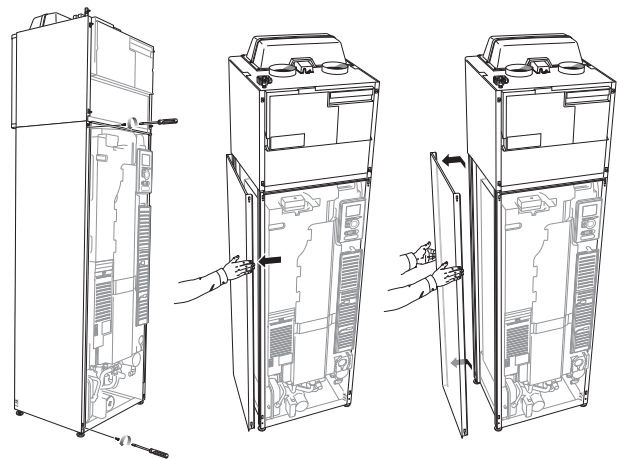
## Removing the covers

### Front cover



1. Remove the upper panel by pulling it straight out.
2. Remove the screws from the lower edge of the front panel.
3. Lift the panel out at the bottom edge and up.
4. Pull the panel towards yourself.

### Side covers



The side covers can be removed to facilitate the installation.

1. Remove the screws from the upper and lower edges.
2. Twist the cover slightly outward.
3. Move the hatch backwards and slightly to the side.
4. Pull the cover to one side.
5. Pull the hatch forwards.

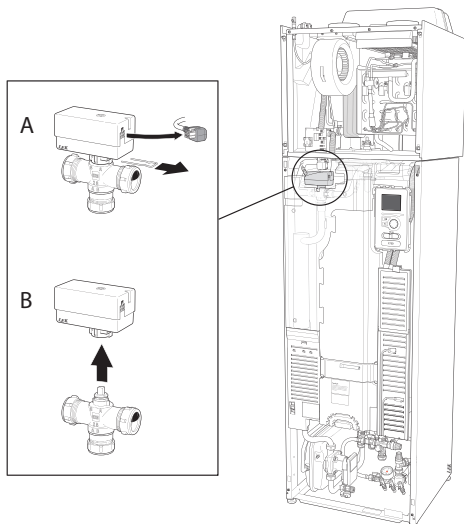


## Removing parts of the insulation

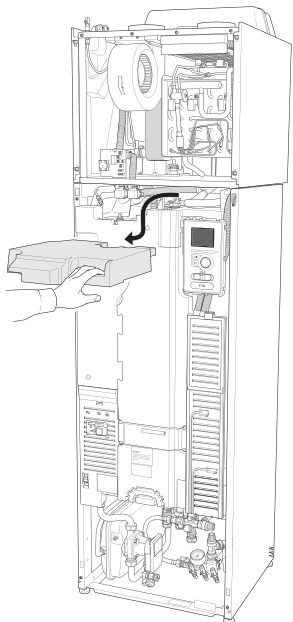
Parts of the insulation can be removed to facilitate the installation.

### Insulation, top

1. Disconnect the cable from the motor and remove the motor from the shuttle valve as illustrated.



2. Grip the handle and pull straight out as illustrated.



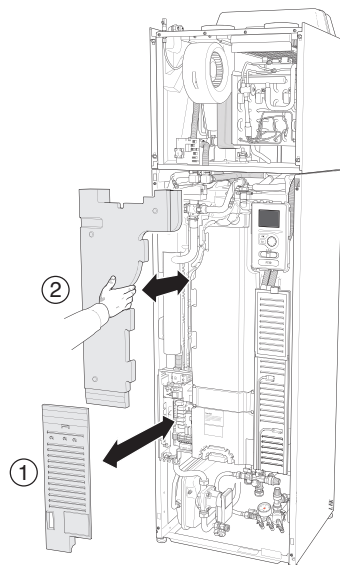
## Insulation, immersion heater



### NOTE

Electrical installation and service must be carried out under the supervision of a qualified electrician. Electrical installation and wiring must be carried out in accordance with the stipulations in force.

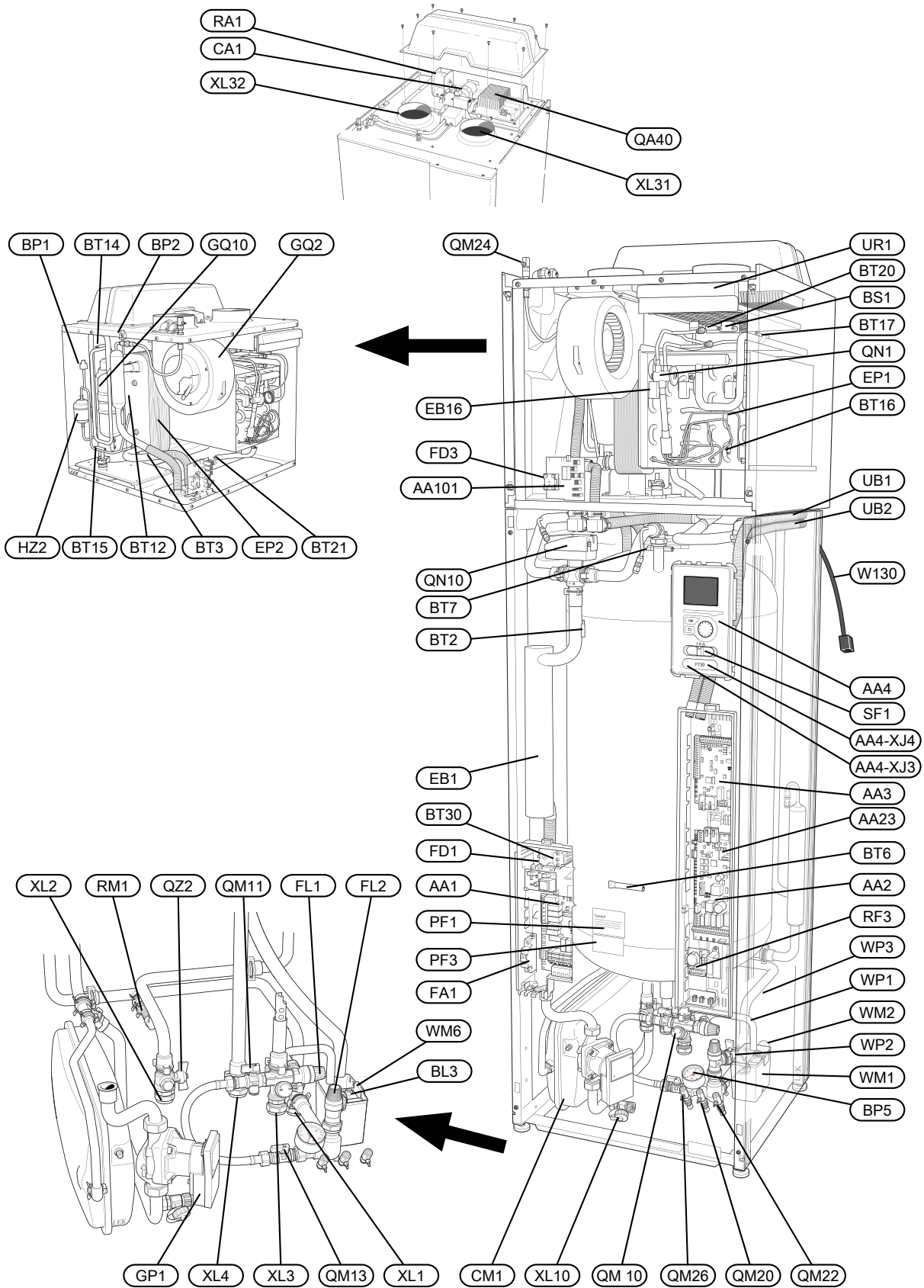
1. Remove the cover for the junction box according to the description on page 20.
2. Grip the handle and pull the insulation carefully towards you as illustrated.



### TIP

Remove the hatch for the immersion heater card so that it is easier to remove the insulation (see page 20).

# 3 The heat pump design



## Pipe connections

XL1	Connection, heating medium flow line
XL2	Connection, heating medium return line
XL3	Connection, cold water
XL4	Connection, hot water
XL10	Connection, draining heating medium
XL31	Ventilation connection, exhaust air
XL32	Ventilation connection, extract air

## HVAC components

CM1	Expansion vessel
FL1	Safety valve, water heater
FL2	Safety valve, climate system
GP1	Circulation pump
QM10	Filler valve, hot water heater
QM11	Filler valve, climate system
QM13	Filler valve 2, climate system
QM20	Venting, heating medium
QM22	Venting, coil
QM24	Venting, heat exchanger
QM26	Venting, heating medium 2
QN10	Shuttle valve, climate system/water heater
QZ2	Filterball
RM1	Non-return valve
WM1	Overflow cup
WM2	Overflow water discharge
WM6	Overflow cup for level sensor
WP1	Overflow pipe, safety valve hot water heater
WP2	Overflow pipe, safety valve climate system
WP3	Overflow pipe, condensation

## Sensors etc.

BF1	Flow sensor (located on the rear of the machine) <sup>3</sup>
BL3	Level monitor for the overflow cup
BP1	High pressure pressostat
BP2	Low pressure pressostat
BP5	Pressure gauge, heating system
BS1	Air speed sensor
BT1	Outside sensor <sup>1</sup>
BT2	Temperature sensors, heating medium flow
BT3	Temperature sensors, heating medium return
BT6	Temperature sensor, hot water, control
BT7	Temperature sensor, hot water, display
BT12	Temperature sensor, heating medium flow after condenser
BT14	Temperature sensor, hot gas
BT15	Temperature sensor, fluid pipe
BT16	Temperature sensor, evaporator <sup>1</sup>
BT17	Temperature sensor, suction gas
BT20	Temperature sensor, exhaust air

BT21	Temperature sensor, extract air
BT30	Thermostat, backup heating
BT50	Room sensor <sup>1</sup>

## Electrical components

AA1	Immersion heater card
AA2	Base card
AA3	Input circuit board
AA4	Display unit
	AA4-XJ3 USB socket
	AA4-XJ4 Service socket
AA23	Communication board
AA101	Connection card sensor
CA1	Capacitor
EB1	Immersion heater
EB16	Defrosting element
FA1	Miniature circuit-breaker
FD1	Temperature limiter
FD3	Temperature limiter, defrosting element
QA40	Inverter
RA1	Choke
RF3	EMC card
SF1	Switch
W130	Network cable for NIBE Uplink™

## Cooling components

EP1	Evaporator
EP2	Condenser
GQ10	Compressor
HZ2	Drying filter
QN1	Expansion valve

## Ventilation

GQ2	Exhaust air fan
HQ10	Exhaust air filter <sup>1</sup>
UR1	Filter cover, exhaust air

## Miscellaneous

PF1	Rating plate
PF3	Serial number plate
UB1-2	Cable gland

<sup>1</sup>Not visible in the image

Designations in component locations according to standard IEC 81346-2.

# 4 Pipe and ventilation connections

## General pipe connections

Pipe installation must be carried out in accordance with current norms and directives.

The system requires the radiator circuit to be designed for a low temperature heating medium. At the lowest dimensioned outdoor temperature (DOT) the highest recommended temperatures are 55 °C on the supply line and 45 °C on the return line.

Overflow water from the evaporator collection tray and safety valves passes via a non-pressurised pipe to an overflow cup, and from there to a drain, so that hot water splashes cannot cause injury. The entire length of the overflow water pipe must be inclined to prevent water pockets and must also be frost-proof.

**NOTE**  
The pipe system needs to be flushed out before the heat pump is connected so that any debris cannot damage component parts.

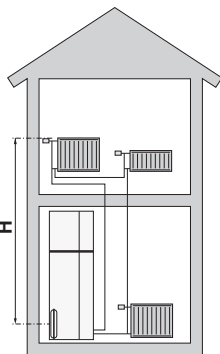
**Caution**  
Ensure that incoming water is clean. When using a private well, it may be necessary to supplement with an extra water filter.

### Max. volume in the heating section and the climate system

The volume of the pressure expansion vessel (CM1) is 10 litres and it is pre-pressurised as standard to 0.5 bar (5 mvp). As a result, the maximum permitted height "H" between the expansion vessel and the highest installed radiator is 5 m, see figure.

If the pre-pressure is not high enough, it can be increased by adding air via the valve in the expansion vessel. The expansion vessel's pre-pressure must be stated in the inspection document. Any change in the pre-pressure affects the ability of the expansion vessel to handle the expansion of the water.

The maximum system volume, excluding the heating section, is 285 litres at the above pre-pressure.



## System diagram

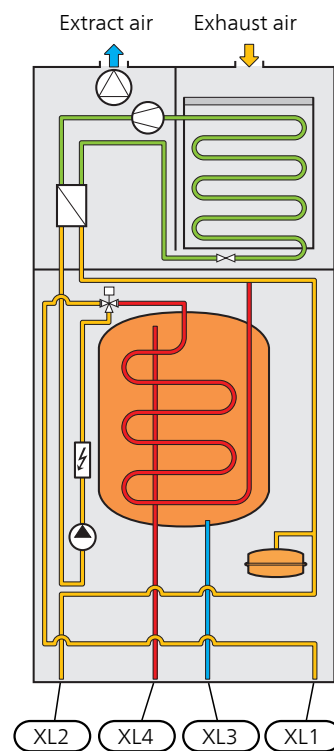
When the room temperature exhaust air, and in certain cases outdoor air, passes through the evaporator, the refrigerant evaporates because of its low boiling point. In this way the energy in the room air is transferred to the refrigerant.

The refrigerant is then compressed in a compressor, causing the temperature to rise considerably.

The warm refrigerant is led to the condenser. Here the refrigerant gives off its energy to the heating system water, whereupon the refrigerant changes state from gas to liquid.

The refrigerant then goes via filters to the expansion valve, where the pressure and temperature are reduced.

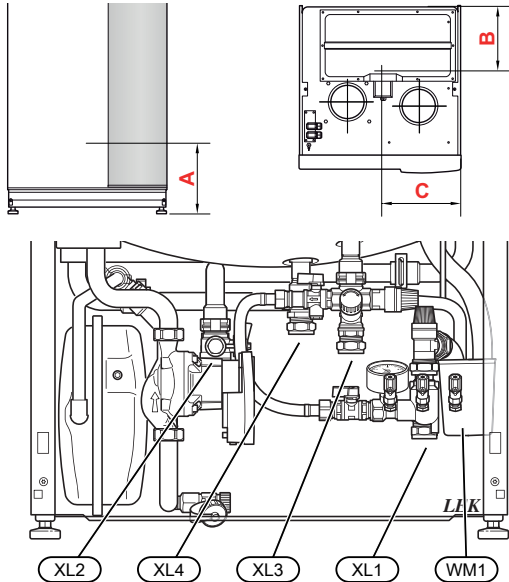
The refrigerant has now completed its circulation and returns to the evaporator.



- XL1 Connection, heating medium flow
- XL2 Connection, heating medium return
- XL3 Connection, cold water
- XL4 Connection, hot water

**Caution**  
This is an outline diagram, differences may occur in the actual installation.

## Dimensions and pipe connections



The overflow cup (WM1) can be turned, so that the pipe can be directed forwards or backwards to simplify connection of the hose to the drain.





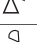





## Setting out dimensions

Connection		A	B	C
XL1 Heating medium supply	(mm)	150	285	105
XL2 Heating medium return	(mm)	220	285	365
XL3 Cold water	(mm)	255	445	195
XL4 Hot water	(mm)	280	405	260
WM1 Overflow cup	(mm)	200	280	50

## Pipe dimensions

Connection		
XL1-XL2 Heating medium ext Ø	(mm)	22
XL3 Cold water ext Ø	(mm)	22
XL4 Hot water ext Ø	(mm)	22
WM2 Overflow water discharge	(mm)	32

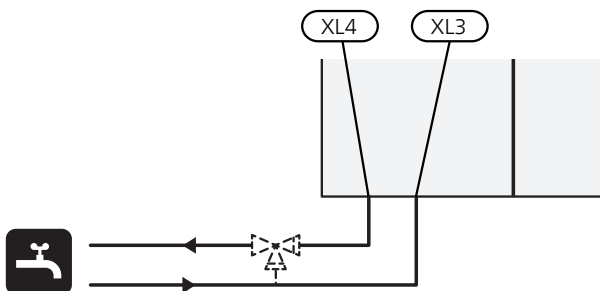
## Symbol key

Symbol	Meaning
	Shut-off valve
	Non-return valve
	Mixing valve
	Shunt / shuttle valve
	Safety valve
	Temperature sensor
	Circulation pump
	Radiator system
	Domestic hot water
	Under floor heating systems

## Cold and hot water

### Connecting cold and hot water

- A mixer valve must also be installed, if the factory setting for hot water is changed. National regulations must be observed.
- The setting for hot water is made in menu 5.1.1 (page 40).

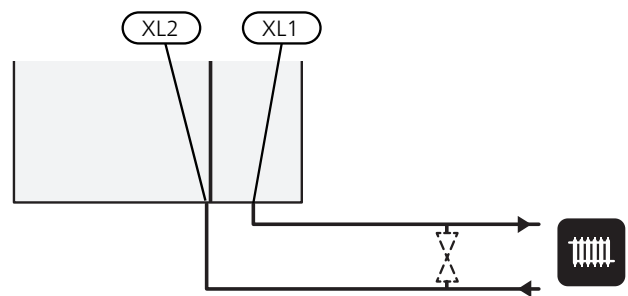


## Heating medium side

### Connecting the climate system

A climate system is a system that regulates indoor comfort with the help of the control system in F730 and for example radiators, under floor heating/cooling, fan coils etc.

- When connecting to a system with thermostats on all radiators, a relief valve must be fitted, or some of the thermostats must be removed to ensure sufficient flow.



## Installation alternative

F730 can be installed in several different ways, some of which are shown below.

Further option information is available at [nibe.eu](http://nibe.eu) and in the respective assembly instructions for the accessories used. See page 51 for a list of the accessories that can be used with F730.

### Separated/one unit

F730 is delivered separated and can be installed separated or as one unit. For separate installation the accessory DK1 10 is required. Clips, o-rings and screws are supplied for both types of installation.

The images in this manual show F730 installed as one unit.



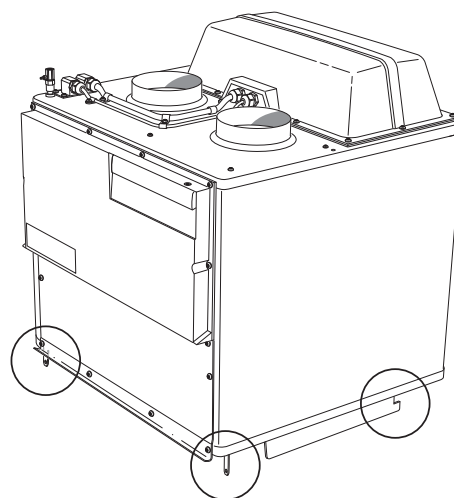
One unit



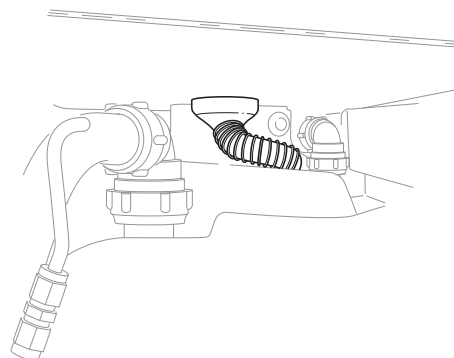
Separated installation

### One unit

1. Remove the heater unit front hatch (see page 8).
2. Remove the insulation at the immersion heater (see page 9).
3. Remove the motor for the reversing valve for the climate system/water heater (QN10) (see page 9).
4. Remove the top insulation (see page 9).
5. Place the air treatment unit above the water heater unit by sliding the rear part of the air treatment unit into the water heater unit.
6. Then lower the front part of the air treatment unit. The locking tabs are then located in grooves in the heater unit.



7. Secure condensation hoses in the air treatment unit.

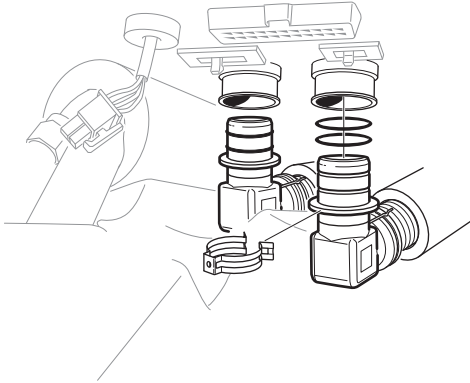


#### TIP

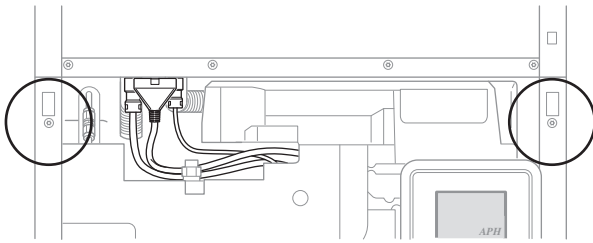
Lift the air treatment unit slightly at the front edge so that it is easier to access.

8. Install an overflow cup and route the condensation hose to it.

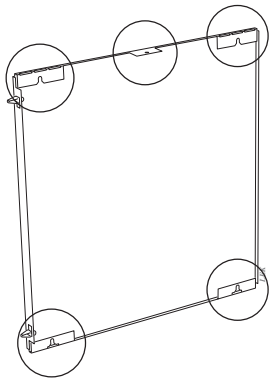
- Connect the air treatment unit flexible pipes to the heater unit. Use the o-rings and clips supplied.



- Connect the air treatment unit wiring to the heater unit.



- Secure the air treatment unit lock tabs in the water heater unit with 2 of the screws supplied.
- Install the reversing valve motor and the heater unit insulation.
- Secure the side panels on the air treatment unit with 2 of the remaining screws supplied. The side panels mounting points may need to be adjusted slightly.



Side hatches mounting points

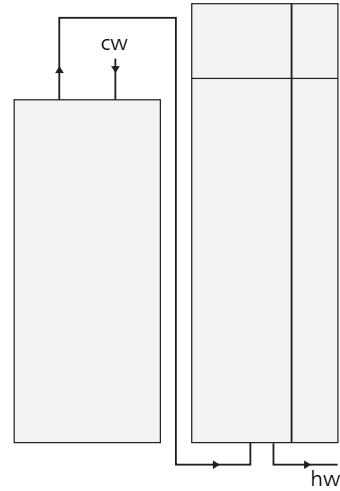
- Install the front panels on the air treatment and heater units.

### Extra hot water heaters

The heat pump should be supplemented with an extra water heater, if a large bath tub or other significant consumer of hot water is installed.

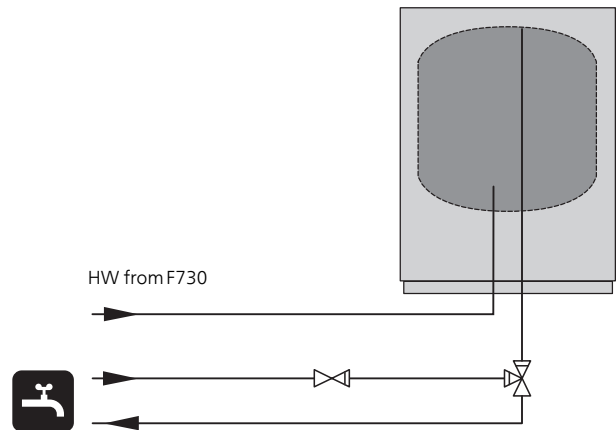
### Water heater without immersion heater

In water heaters without an immersion heater the water is heated by the heat pump's compressor.



### Water heater with immersion heater

If it is possible to use a water heater with an immersion heater, connect it as illustrated below.

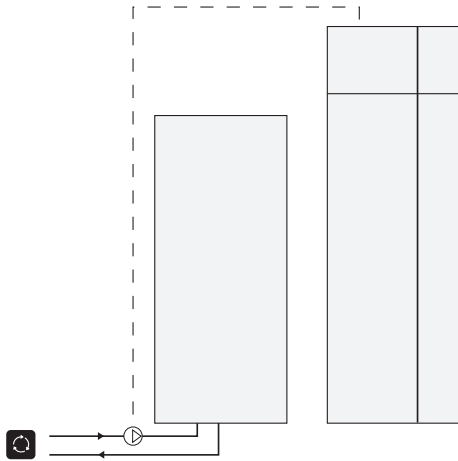




## Hot water circulation (VVC)

To reduce the risk of bacterial growth in systems with hot water circulation, the temperature of the circulating water should not fall below 50°C. Nor should there be any hot water pipes containing stationary water. Adjust the hot water system so that the temperature does not fall below 50°C at the extremities of the system.

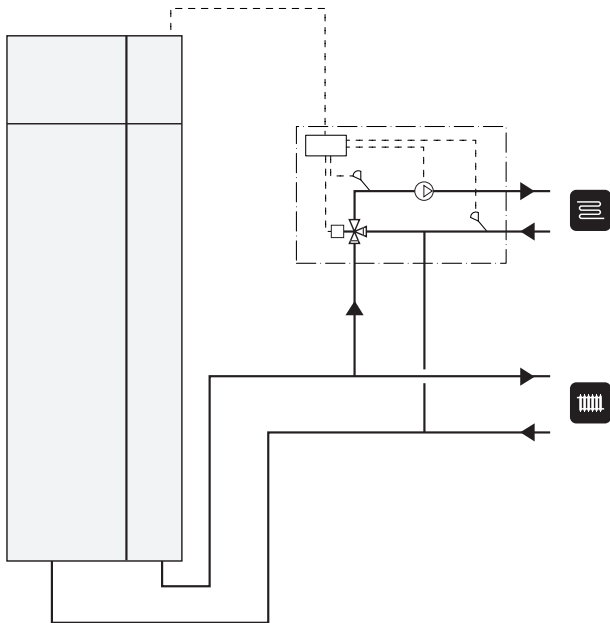
The circulation pump for hot water circulation can be controlled by the heat pump. The HWC return is connected to a freestanding water heater.



## Two or more climate systems

When more than one climate system is to be heated, the following connection can be used.

The ECS 40/ECS 41 accessory is required for this connection.



## General ventilation connection

- Ventilation installation must be carried out in accordance with current norms and directives.
- Connections must be made via flexible hoses, which should be installed so that they are easy to replace.
- Provision must be made for inspection and cleaning of the duct.
- Make sure that there are no reductions of cross-sectional area in the form of creases, tight bends, etc., since this will reduce the ventilation capacity.
- The air duct system must be a minimum of air tightness class B.
- To prevent fan noise being transferred to the ventilation devices, silencers should be installed in the duct system. In the event of ventilation devices in noise-sensitive rooms, silencers must be installed.
- The extract air duct has to be insulated using diffusion-proof material (at least PE30 or equivalent) along its entire length.
- Ensure that the condensation insulation is fully sealed at any joints and/or at lead-in nipples, silencers, roof cowls or similar.
- The extract air duct should, if possible, be routed up through the roof. If the duct is to be routed out through an external wall, avoid having an immediate 90° bend backwards, as this can cause noise and reduced capacity.
- The ventilation ducts should be installed in such a way that it is easy to open the inverter box.
- A duct in a masonry chimney stack must not be used for extract air.



### NOTE

F730 occasionally has a very low extract air temperature. To avoid damaging the product and/or the building, it is therefore important that the extract air duct is insulated with diffusion-proof material (at least PE30 or equivalent) along its entire length.



### TIP

If additional condensation insulation (at least PE30 or equivalent) dimension  $\varnothing 200$  is installed on the outside of the existing exhaust line between the heat pump and the inner roof, the noise in the installation room is reduced by 1-2 dB(A).

## Exhaust air duct /kitchen fan

Exhaust air duct (kitchen fan) must not be connected to F730.

To prevent cooking odours from being led to the F730, the distance between the kitchen fan and the exhaust air valve must be observed. The distance should not be less than 1.5 m.

Always use a kitchen fan when cooking.

## Ventilation flow

Connect F730 so that all the exhaust air, except kitchen duct air (kitchen fan), passes through the evaporator (EP1) in the heat pump.

The ventilation flow must comply with the applicable national standards.

For optimum heat pump performance, the ventilation flow should not be less than 21 l/s (75 m<sup>3</sup>/h).

Set the ventilation capacity in the heat pump's menu system (menu 5.1.5).

If the exhaust air temperature falls below 6°C, the compressor is blocked and electric additional heat is permitted. No energy is recovered from the exhaust air when the compressor is blocked.

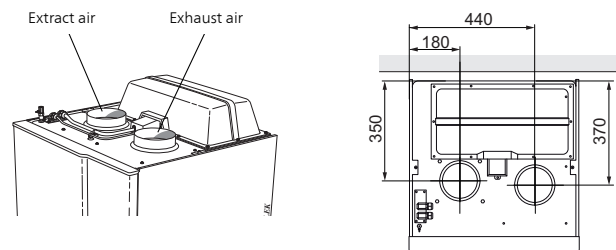
## Adjusting ventilation

To obtain the necessary air exchange in every room of the house, the exhaust air devices must be correctly positioned and adjusted and the fan in the heat pump adjusted.

Immediately after installation adjust the ventilation so that it is set according to the projected value of the house.

Incorrect adjustment of the ventilation may lead to reduced installation efficiency and thus poorer operating economy, and may cause moisture damage in the building

## Dimension and ventilation connections

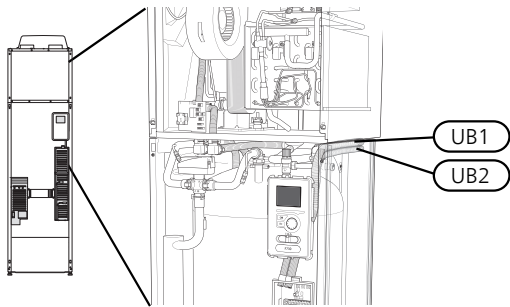


# 5 Electrical connections

## General

All electrical equipment, except the outdoor temperature sensors and room temperature sensors are ready connected at the factory.

- Disconnect the heat pump before insulation testing the house wiring.
- F730 should be equipped with a separate RCD (30 mA).
- If a miniature circuit breaker is used, this should have at least motor characteristic "C". See page 54 for fuse size.
- For the heat pump wiring diagram, see page 58.
- Communication and sensor cables to external connections must not be laid close to high current cables.
- The minimum area of communication and sensor cables to external connections must be 0.5 mm<sup>2</sup> up to 50 m, for example EKKX or LiYY or equivalent.
- When cable routing in F730, cable grommets UB1 and UB2, (marked in image) must be used. In UB1 and UB2 the cables are inserted through the heat pump from the back to the front. For dimensions diagram see page 21.



### NOTE

Switch (SF1) must not be moved to "I" or "△" until F730 has been filled with water. Otherwise the temperature limiter, thermostat and the immersion heater may be damaged.



### NOTE

Check the connections, main voltage and phase voltage before the machine is started, to prevent damage to the heat pump electronics.



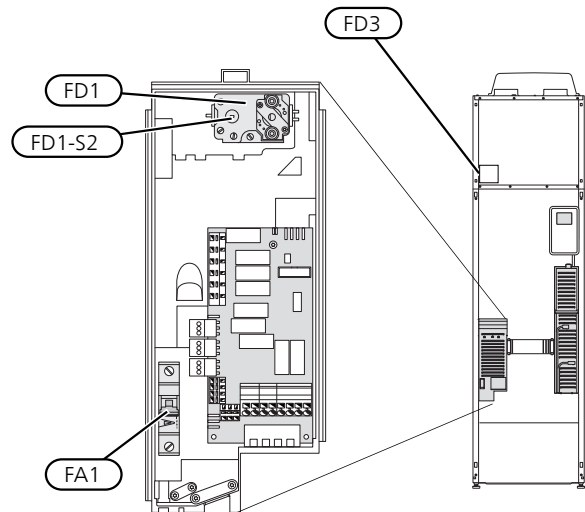
### NOTE

If the supply cable is damaged, only NIBE, its service representative or similar authorised person may replace it to prevent any danger and damage.



### NOTE

Electrical installation and service must be carried out under the supervision of a qualified electrician. Cut the current with the circuit breaker before carrying out any servicing. Electrical installation and wiring must be carried out in accordance with the stipulations in force.



### Miniature circuit breaker (FA1)

Operation (230V), fan, circulation pumps etc. are internally fused by a miniature circuit breaker (FA1).



### Caution

Check the miniature circuit-breaker (FA1). It may have tripped during transportation.

### Temperature limiter (FD1)

The temperature limiter (FD1) cuts the current supply to the electric additional heat if the temperature rises between 90 and 100°C and can be manually reset.

#### Resetting

The temperature limiter (FD1) is accessible behind the front cover. Reset the temperature limiter by carefully pressing the button (FD1-SF2) using a small screwdriver.

### Temperature limiter, defrosting element (FD3)

The temperature limiter for the defrosting element (FD3) cuts the current supply to the defrosting element if the temperature rises above 75 °C and is manually reset.

#### Resetting

The temperature limiter for the defrosting element (FD3) is accessible behind the air treatment cover. Remove the cover and then the panel secured with screws. Reset the temperature limiter by carefully pressing the button (FD3-SF2) using a small screwdriver.

## Accessibility, electrical connection

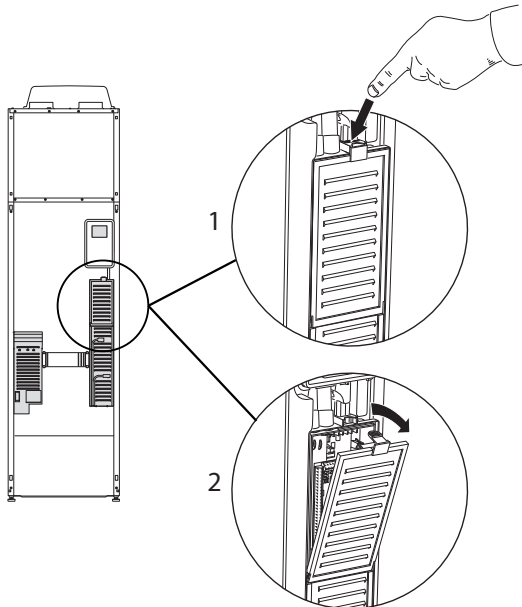
The plastic cap of the electrical boxes is opened using a screwdriver.



### NOTE

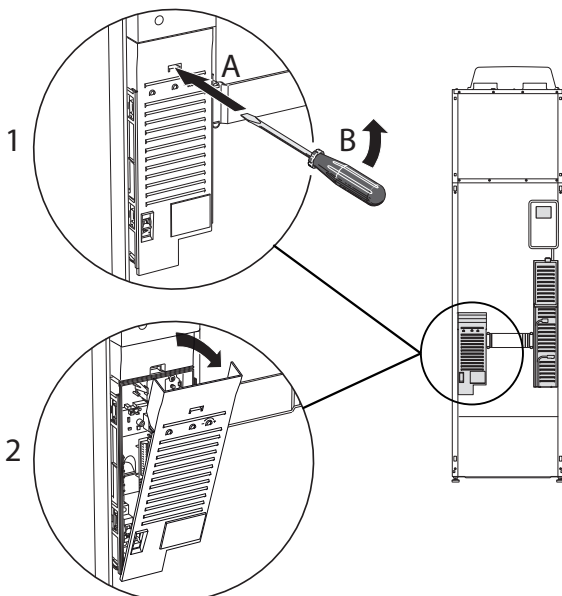
The cover for the input card is opened without a tool.

### Removing the cover, input board



1. Push the catch down.
2. Angle out the cover and remove it.

### Removing the cover, immersion heater board



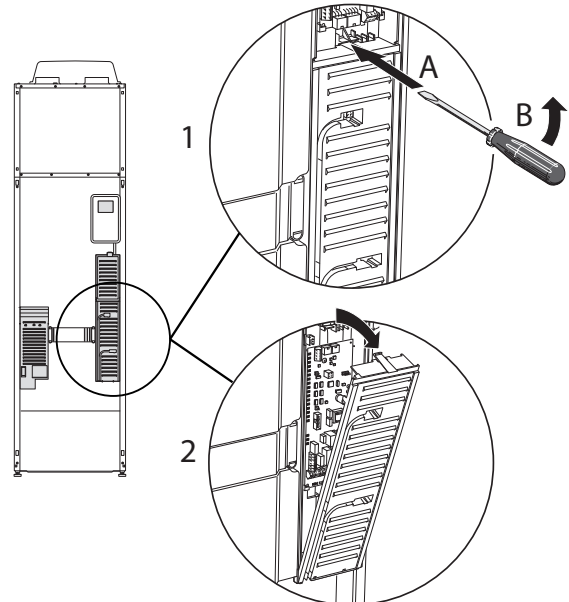
1. Insert the screwdriver (A) and pry the catch carefully downwards (B).
2. Angle out the cover and remove it.

### Removing the cover, base circuit board



### Caution

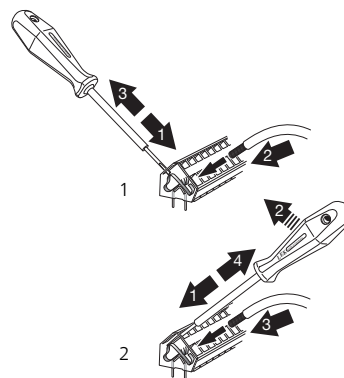
To remove the cover for the base board, the cover for the input circuit board must first be removed.



1. Insert the screwdriver (A) and pry the catch carefully downwards (B).
2. Angle out the cover and remove it.

### Cable lock

Use a suitable tool to release/lock cables in the heat pump terminal blocks.



## Connections

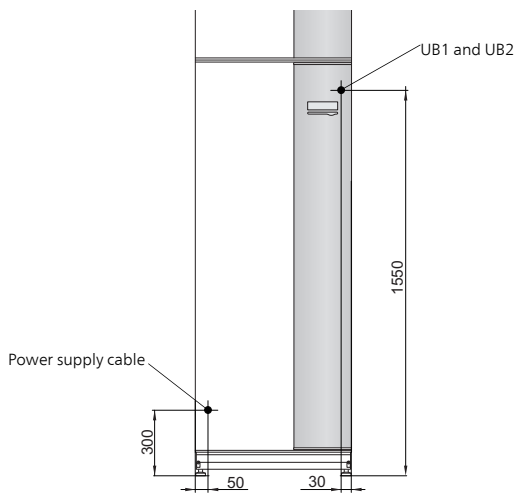


### NOTE

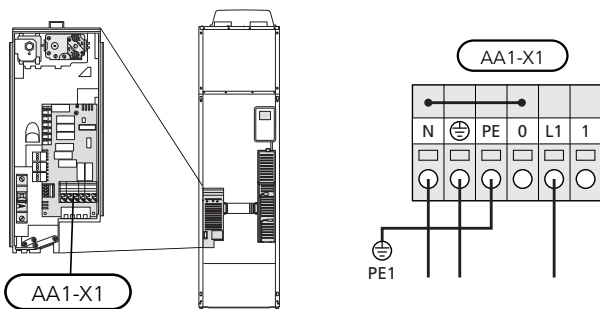
To prevent interference, unscreened communication and/or sensor cables to external connections must not be laid closer than 20 cm from high voltage cables.

### Power connection

F730 must be installed via an isolator switch with a minimum breaking gap of 3mm. Minimum cable area must be sized according to the fuse rating used. Supplied cable (length approx. 2 m) for incoming supply electricity is connected to terminal block X1 on the immersion heater board (AA1). The connection cable can be found on the back of F730 (see dimensions diagram below).



### Connection 1x230V



### Tariff control

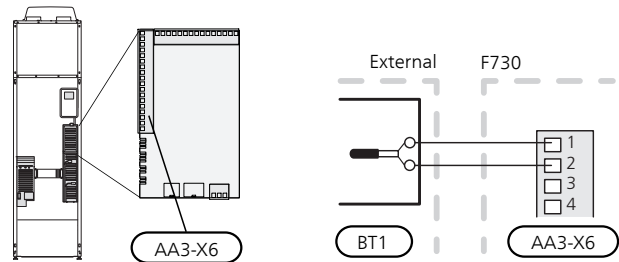
If the voltage to the immersion heater and/or the compressor disappears for a certain period, there must also be blocking via the AUX-input at the same time, see "Possible selection for AUX inputs".

### Outside sensor

Install the outdoor temperature sensor (BT1) in the shade on a wall facing north or north-west, so it is unaffected by the morning sun for example.

Connect the sensor to terminal block X6:1 and X6:2 on the input board (AA3). Use a twin core cable of at least 0.5 mm<sup>2</sup> cable area.

If a conduit is used it must be sealed to prevent condensation in the sensor capsule.



## Room sensor

F730 is supplied with a room sensor enclosed (BT50). The room sensor has a number of functions:

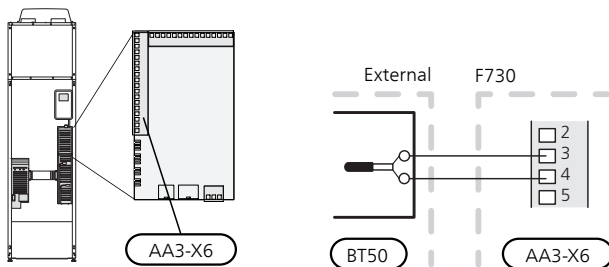
1. Shows current room temperature in the display on F730.
2. Option of changing the room temperature in °C.
3. Provides the option of fine-tuning the room temperature.

Install the sensor in a neutral position where the set temperature is required. A suitable location is on a free inner wall in a hall approx. 1.5 m above the floor. It is important that the sensor is not obstructed from measuring the correct room temperature by being located, for example, in a recess, between shelves, behind a curtain, above or close to a heat source, in a draft from an external door or in direct sunlight. Closed radiator thermostats can also cause problems.

The heat pump operates without the sensor, but if one wishes to read off the accommodation's indoor temperature in F730's display, the sensor must be installed. Connect the room sensor to X6:3 and X6:4 on the input board (AA3).

If the sensor is to be used to change the room temperature in °C and/or to fine-tune the room temperature, the sensor must be activated in menu 1.9.4.

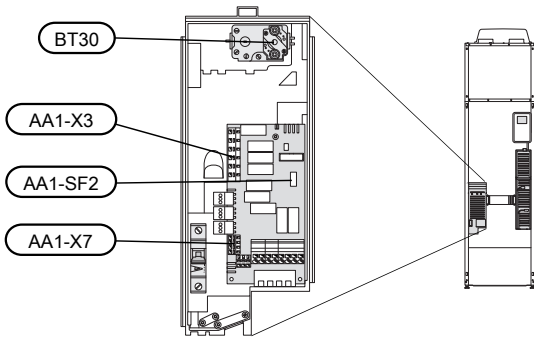
If the room sensor is used in a room with underfloor heating, it should only have an indicative function, not control of the room temperature.



### Caution

Changes of temperature in accommodation take time. For example, short time periods in combination with underfloor heating will not give a noticeable difference in room temperature.

## Settings



### Electrical addition - maximum output

The immersion heater can be set up to a maximum of 6.5 kW. Delivery setting is 3.5 kW.

The immersion heater output is divided into steps, according to the table.

Setting maximum output in the electric additional heat is done in menu 5.1.12.

### Power steps of the immersion heater

Electrical addition (kW)	Max (A)
0.0	1.2
0.5	3.4
1.0	5.5
1.5	7.7
2.0	9.9
2.5	12.1
3.0	14.2
3.5*	16.4
4.0	18.5
4.5	20.7
5.0	22.9
5.5	25.1
6.0	27.3
6.5	29.4

\*Default value

The table displays the maximum phase current at each electrical step for the heat pump (without compressor operation).

In addition to this, there is the current for compressor operation, which, depending on the operating conditions, can amount to approx. 13A.

The heat pump is fused to at least 16 A.

### Emergency mode

When the heat pump is set to emergency mode (SF1 is set to  $\Delta$ ), only the most necessary functions are activated.

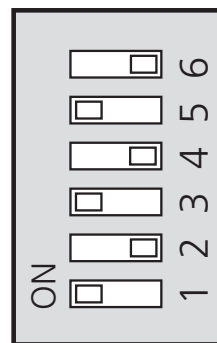
- The compressor is off and heating is managed by the immersion heater.
- Hot water is not produced.

### Power in emergency mode

The immersion heater's output in emergency mode is set with the dipswitch (S2) on the immersion heater circuit board (AA1) according to the table below.

kW	1	2	3	4	5	6
0.5	on	off	off	off	off	off
1.0	off	off	on	off	off	off
1.5	on	off	on	off	off	off
2.0	off	off	off	off	on	off
2.5	on	off	off	off	on	off
3.0	off	off	on	off	on	off
3.5*	on	off	on	off	on	off
4.0	off	off	on	off	off	on
4.5	on	off	on	off	off	on
5.0	off	off	off	off	on	on
5.5	on	off	off	off	on	on
6.0	off	off	on	off	on	on
6.5	on	off	on	off	on	on

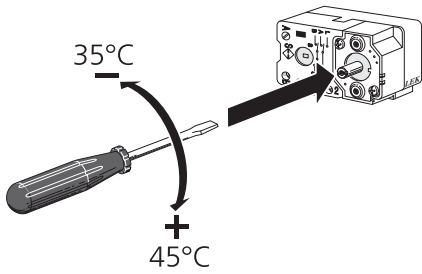
\*Default value



The image shows the dip-switch (AA1-S2) in the factory setting.

### Emergency mode thermostat

The supply temperature in emergency mode is set using a thermostat (FD1-BT30). It can be set to 35 (pre-set, for example under floor heating) or 45 °C (for example radiators).





# Optional connections

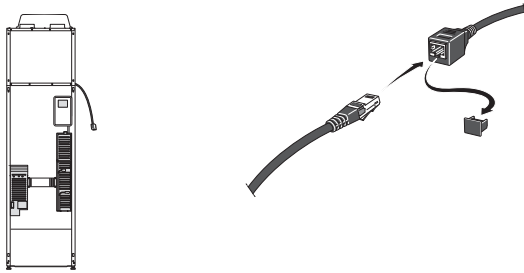
## Load monitor

### Integrated load monitor

F730 is equipped with a simple form of integrated load monitor, which limits the power steps for the electric additional heat by calculating whether future power steps can be connected to the relevant phase without the specified main fuse being exceeded. In those cases where the current would exceed the specified main fuse, the power step is not permitted. The size of the property's main fuse is specified in menu 5.1.12.

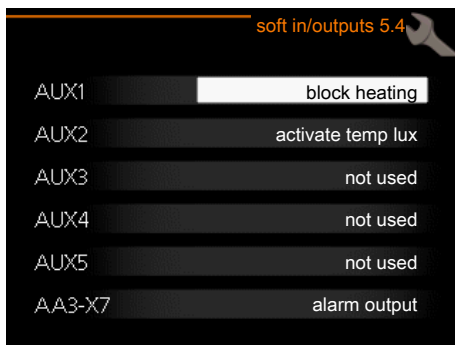
### NIBE Uplink

Connect the network connected cable (straight, Cat.5e UTP) with RJ45-contact (male) to RJ45 contact (female) on the rear of the heat pump.



### External connection options

F730 has software-controlled AUX inputs and outputs on the input board (AA3), for connecting the external switch function or sensor. This means that when an external switch function (the switch must be potential-free) or sensor is connected to one of six special connections, this function must be selected for the correct connection in menu 5.4.



For certain functions, accessories may be required.

### Selectable inputs

Selectable inputs on the input board for these functions are:

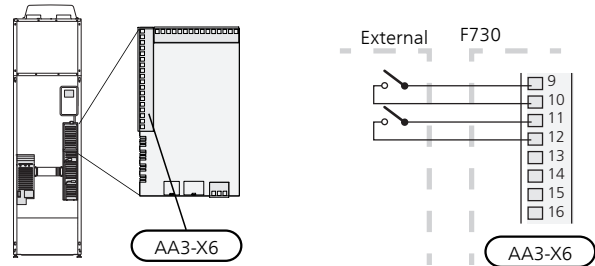
AUX1	AA3-X6:9-10
AUX2	AA3-X6:11-12
AUX3	AA3-X6:13-14
AUX4	AA3-X6:15-16

AUX5

AA3-X6:17-18

### Selectable outputs

A selectable output is AA3-X7.



The example above uses the inputs AUX1 (X6:9-10) and AUX2 (X6:11-12) on the input board (AA3).



#### Caution

Some of the following functions can also be activated and scheduled via menu settings.

### Possible selection for AUX inputs

#### Temperature sensor

Temperature sensor can be connected to F730. Use a 2-core cable of at least 0.5 mm<sup>2</sup> cable area.

Available options are:

- room sensor (RTS 40)
- ambient sensor (BT28) for outdoor air function (accessory OEK 20 required)

#### Monitor

Available options are:

- alarm from external units. The alarm is connected to the control, which means that the malfunction is presented as an info-alarm in the display. Potential-free signal of type NO or NC.

### External blocking of functions

An external switch function can be connected to F730 for blocking various functions. The switch must be potential-free and a closed switch results in blocking.



#### Caution

Blocking entails a risk of freezing.

Functions that can be blocked:

- hot water (hot water production)
- heating (blocking of heating demand)
- additional heat (additional heat is blocked)
- compressor
- tariff blocking (additional heat, compressor, heating and hot water are disconnected)

## External activation of functions

An external switch function can be connected to F730 to activate various functions. The function is activated during the time the switch is closed.

Possible functions that can be activated:

- hot water function "temporary lux"
- hot water comfort mode "economy"
- "external adjustment"

An external contact function can be connected to F730 to change the supply temperature and the room temperature.

When the switch is closed, the temperature changes in °C (if the room sensor is connected and activated). If a room sensor is not connected or not activated, the desired change of "temperature" (heating curve offset) is set with the number of steps selected. The value is adjustable between -10 and +10. External adjustment of climate systems 2 to 8 requires accessories.

– *climate system 1 to 8*

The value for the change is set in menu 1.9.2, "external adjustment".

- activation of one of four fan speeds.

The following five options are available:

- 1-4 is normally open (NO)
- 1 normally closed (NC)

The fan speed is activated during the time the switch is closed. Normal speed is resumed when the switch is opened again.

- SG ready



### Caution

This function can only be used in mains networks that support the "SG Ready"-standard

"SG Ready" requires two AUX inputs.

"SG Ready" is a smart form of tariff control where your electricity supplier can affect the indoor and hot water temperatures or simply block the additional heat and/or the compressor in the heat pump at certain times of the day (can be selected in menu 4.1.5 after the function is activated). Activate the function by connecting potential-free switch functions to two inputs selected in menu 5.4 (SG Ready A and SG Ready B).

Closed or open switch means one of the following:

- **Blocking (A: Closed, B: Open)**

"SG Ready" is active. The compressor in the heat pump and additional heat is blocked like the day's tariff blocking.

- **Normal mode (A: Open, B: Open)**

"SG Ready" is not active. No effect on the system.

- **Low price mode (A: Open, B: Closed)**

"SG Ready" is active. The system focuses on costs savings and can for example exploit a low tariff from the electricity supplier or over-capacity from any own power source (effect on the system can be adjusted in the menu 4.1.5).

- **Overcapacity mode (A: Closed, B: Closed)**

"SG Ready" is active. The system is permitted to run at full capacity at over capacity (very low price) with the electricity supplier (effect on the system is settable in menu 4.1.5).

(A = SG Ready A and B = SG Ready B)

- +Adjust

Using +Adjust, the installation communicates with the underfloor heating's control centre\* and adjusts the heating curve and calculated supply temperature according to the underfloor heating system's reconnection.

Activate the climate system you want +Adjust to affect by highlighting the function and pressing the OK button.

\*Support for +Adjust required



### Caution

This accessory may require a software update in your F730. The version can be checked in the "Service info" menu 3.1. Visit <http://www.nibeuplink.com> and click on the "Software" tab to download the latest software to your installation.

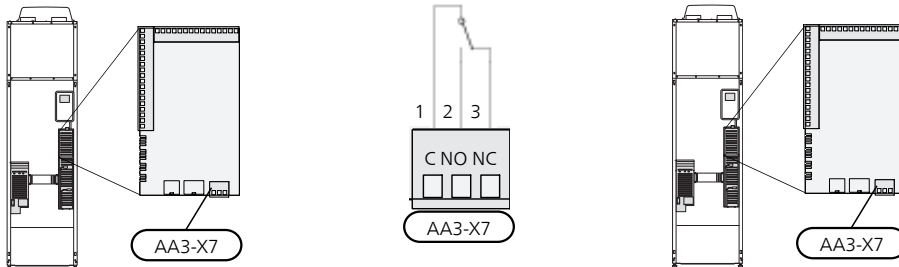


### Caution

In systems with both under floor heating and radiators, NIBE ECS 40/41 should be used for optimum operation.

## Possible selections for AUX output

It is possible to have an external connection through the relay function via a potential-free switching relay (max. 2 A) on the input board (AA3), terminal block X7. The function must be activated in menu 5.4.



The picture shows the relay in the alarm position.

When the switch (SF1) is in the “⏻” or “⚠” position, the relay goes to NC.

### Caution

The relay outputs may be subjected to a max load of 2 A at resistive load (230V AC).



### TIP

The accessory AXC is required if more than one function is to be connected to the AUX output.

Optional functions for external connection:

## Indication

- alarm indication
- holiday indication

## Control

- control of circulation pump for hot water circulation
- control of external circulation pump (for heating medium)

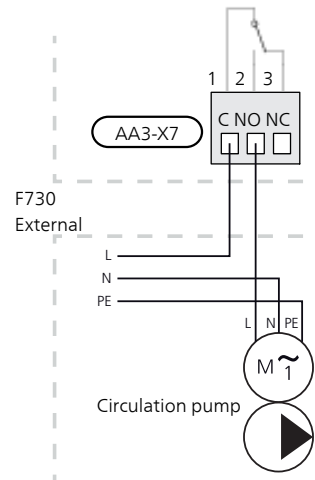
## Activation

- activation of damper (QN38) for outdoor air function (accessory OEK 20 required)
- activation of away mode for smart home (complement to the functions in menu 4.1.7)

### Caution

The relevant distribution box must be marked with a warning about external voltage.

An external circulation pump is connected to the AUX output, as illustrated below.



## Connecting accessories

Instructions for connecting accessories are provided in the manual accompanying the accessory. See page 51 for the list of the accessories that can be used with F730.

# 6 Commissioning and adjusting

## Preparations

1. Check that the switch (SF1) is in position "⏻".
2. Check that the filling valves (QM10) and (QM11) are fully closed.



### Caution

Check the miniature circuit-breaker (FA1) in the heat pump. It may have tripped during transportation.

## Filling and venting

### Filling the hot water heater

1. Open a hot water tap in the house.
2. Open the filling valve (QM10). This valve should then be fully open during operations.
3. When water comes out of the hot water tap, the hot water heater is full and the tap can be closed.

### Filling the climate system

1. Open the vent valves (QM20), (QM22), (QM24) and (QM26).
2. Open the filling valve (QM11). The heating section and the rest of the climate system are filled with water.
3. When the water exiting the vent valves (QM20), (QM22), (QM24) and (QM26) is no longer mixed with air, close the valves. After a while, the pressure begins to rise on the pressure gauge (BP5). When the pressure reaches 2.5 bar (0.25 MPa) the safety valve (FL2) starts to release water. Close the filling valve.
4. Reduce the pressure in the climate system to the normal working range (approx. 1 bar) by opening the vent valves (QM20), (QM22), (QM24) and (QM26) or the safety valve (FL2).
5. Check that there is water in the overflow cup (WM1).
6. Start the heat pump and allow it to run in both heating and hot water modes.
7. Vent the climate system (see section "Venting the climate system").

If the overflow cup requires topping up:

1. Turn the safety valve for hot water (FL1) anticlockwise carefully.

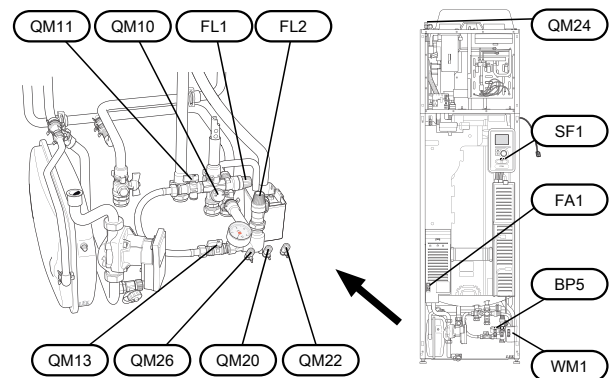
### Venting the climate system

1. Turn off the power supply to the heat pump.
2. Vent the heat pump via the vent valves (QM20), (QM22), (QM24), (QM26) and the rest of the climate system via the relevant vent valves.
3. Keep topping up and venting until all air has been removed and the pressure is correct.



### NOTE

The vent hoses from the container must be drained of water before air can be released. This means that the system is not necessarily vented despite the flow of water when the vent valves (QM20), (QM22), (QM24), (QM26) are opened.



## Start-up and inspection



### NOTE

Warning: Do not start the heat pump if there is a risk that the water in the system has frozen.

## Start guide



### NOTE

There must be water in the climate system before the switch is set to "I".

1. Set switch (SF1) on F730 to position "I".
2. Follow the instructions in the display's start guide. If the start guide does not start when you start the F730, start it manually in menu 5.7.



### TIP

See page 33 for a more in-depth introduction to the heat pump's control system (operation, menus etc.).

If the building is cooled when F730 starts, the compressor may not be able to meet the entire demand without having to use additional heating.

## Commissioning

The first time the heat pump is started a start guide is started. The start guide instructions state what needs to be carried out at the first start together with a run through of the heat pump's basic settings.

The start guide ensures that start-up is carried out correctly and cannot be bypassed. The start guide can be started later in menu 5.7.



### Caution

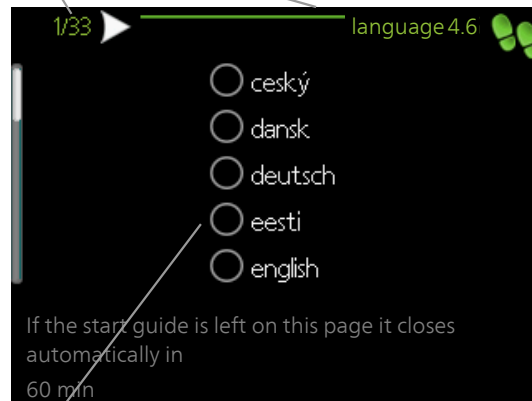
As long as the start guide is active, no function in the installation will start automatically.

The guide will appear at each installation restart until it is deselected on the last page.

## Operation in the start guide

A. Page

B. Name and menu number



C. Option / setting

### A. Page

Here you can see how far you have come in the start guide.

Scroll between the pages of the start guide as follows:

1. Turn the control knob until one of the arrows in the top left corner (at the page number) has been marked.
2. Press the OK button to skip between the pages in the start guide.

### B. Name and menu number


Read what menu in the control system this page of the start guide is based on. The digits in brackets refer to the menu number in the control system.

If you want to read more about affected menus either consult the help menu or read the user manual.

### C. Option / setting

Make settings for the system here.

### D. Help menu

 In many menus there is a symbol that indicates that extra help is available.

To access the help text:

1. Use the control knob to select the help symbol.
2. Press the OK button.

The help text often consists of several windows that you can scroll between using the control knob.

## Setting the ventilation

Ventilation must be set according to applicable standards. Set the fan speed in menu 5.1.5.

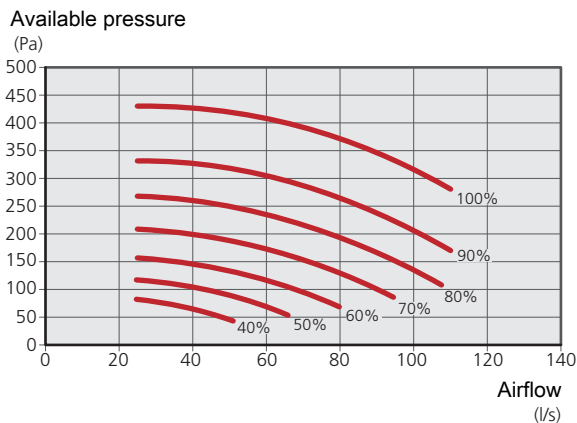
Even if ventilation is roughly set at installation it is important that a ventilation adjustment is ordered and permitted.



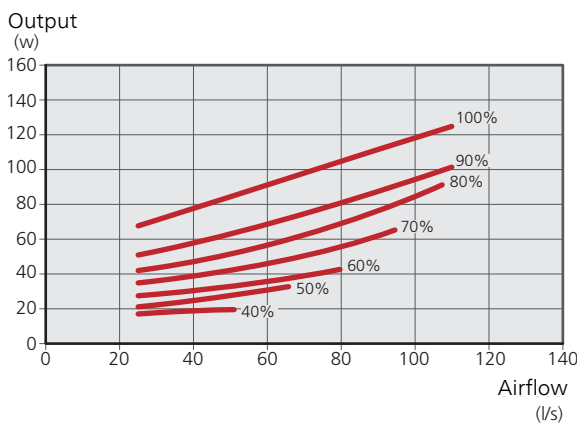
### NOTE

Order a ventilation adjustment to complete the setting.

### Ventilation capacity



### Fan rating



## Adjusting the exhaust air flow

1. Enter menu 5.1.5 "fan sp. exhaust air".
2. Select "adjusting ventilation".
3. You now come to menu 5.1.5.1 "adjusting ventilation".
4. Tick "adjusting ventilation".
5. Measure the airflow at the ventilation device.
6. Adjust the fan speed to achieve desired ventilation.
7. Enter the metered air flow.
8. Back to menu 5.1.5.
9. The value for fan speed that you entered in the menu 5.1.5.1 is now copied to "normal".

## Commissioning without fan

The heat pump can be run without recovery, as only an electric boiler, to produce heat and hot water, for example before the ventilation installation is complete.

Enter menu 4.2 - "op. mode" and select "add. heat only"

Enter menu 5.1.5 - "fan sp. exhaust air" and reduce the fan speed to 0%.

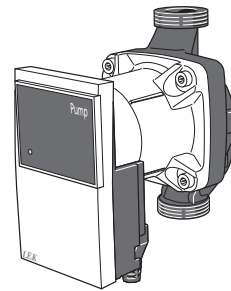


### NOTE

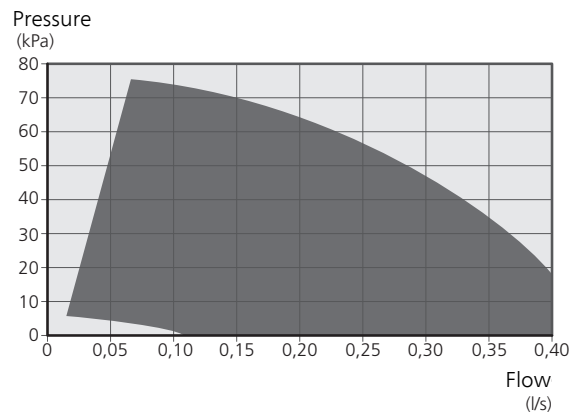
Select operating mode "auto" or "manual" when the heat pump is to run on recovery again.

## Setting pump speed

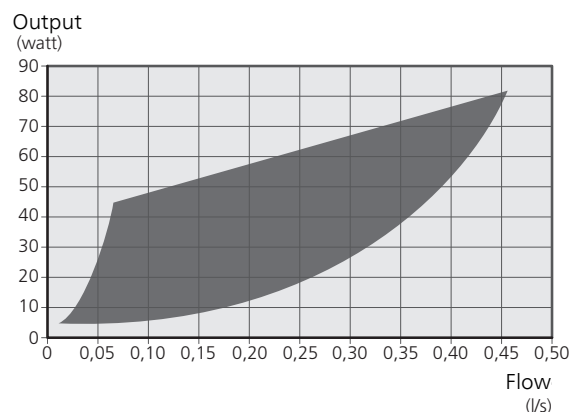
The heat pump (GP1) is automatically controlled and sets itself using the controls and based on the heating demand.



### Capacity, heating medium pump



### Output, heating medium pump



## **Post-adjustment, venting**

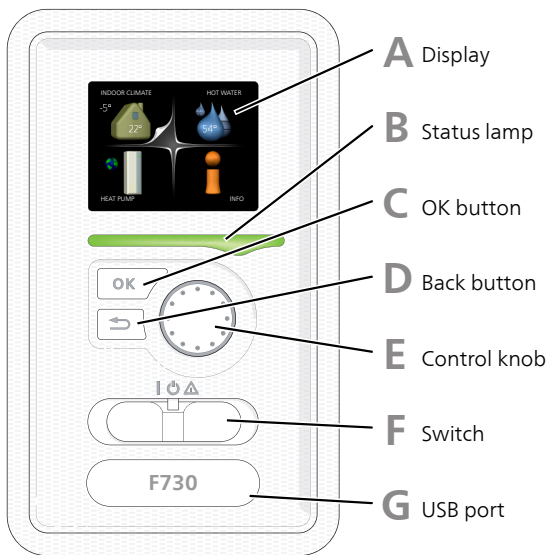
### ***Post-adjustment, venting***

Air is initially released from the hot water and venting may be necessary. If gurgling sounds can be heard from the heat pump or climate system, the entire system requires additional venting. See section "Venting the climate system" on page 29 for information about venting the heat pump.



# 7 Control - Introduction

## Display unit



### A Display

Instructions, settings and operational information are shown on the display. You can easily navigate between the different menus and options to set the comfort or obtain the information you require.

### B Status lamp

The status lamp indicates the status of the heat pump. It:

- lights green during normal operation.
- lights yellow in emergency mode.
- lights red in the event of a deployed alarm.

### C OK button

The OK button is used to:

- confirm selections of sub menus/options/set values/page in the start guide.

### D Back button

The back button is used to:

- go back to the previous menu.
- change a setting that has not been confirmed.

### E Control knob

The control knob can be turned to the right or left. You can:

- scroll in menus and between options.
- increase and decrease the values.
- change page in multiple page instructions (for example help text and service info).

### F Switch (SF1)

The switch assumes three positions:

- On (I)
- Standby (⏻)
- Emergency mode (⚠) (see page 45)

Emergency mode must only be used in the event of a fault on the heat pump. In this mode, the compressor switches off and the immersion heater engages. The heat pump display is not illuminated and the status lamp illuminates yellow.

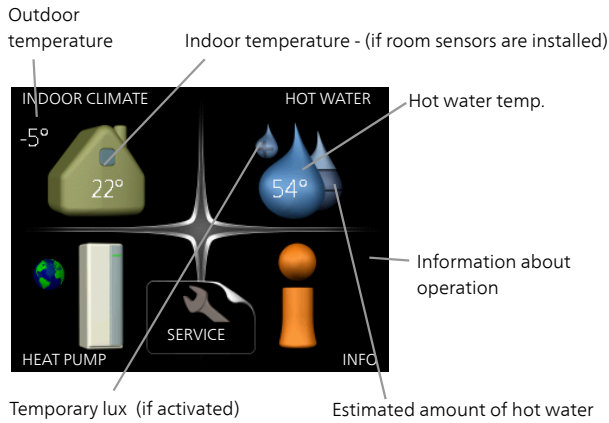
### G USB port

The USB port is hidden beneath the plastic badge with the product name on it.

The USB port is used to update the software.

Visit <http://www.nibeuplink.com> and click the "Software" tab to download the latest software for your installation.

# Menu system



## Menu 1 - INDOOR CLIMATE

Setting and scheduling the indoor climate. See information in the help menu or user manual.

## Menu 2 - HOT WATER

Setting and scheduling hot water production. See information in the help menu or user manual.

## Menu 3 - INFO

Display of temperature and other operating information and access to the alarm log. See information in the help menu or user manual.

## Menu 4 - HEAT PUMP

Setting time, date, language, display, operating mode etc. See information in the help menu or user manual.

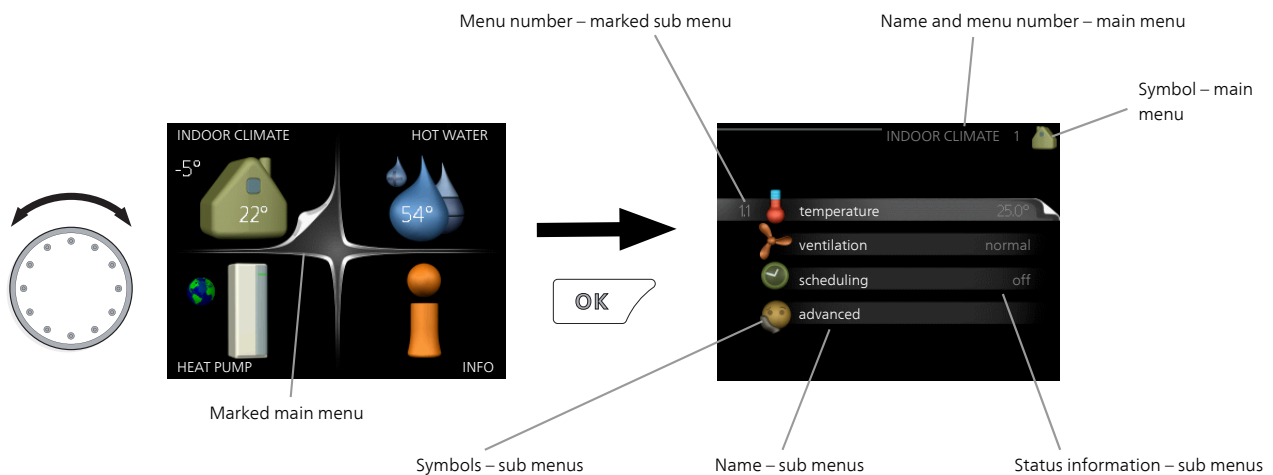
## Menu 5 - SERVICE

Advanced settings. These settings are not available to the end user. The menu is visible when the Back button is pressed for 7 seconds when you are in the start menu. See page 39.

## Symbols in the display

The following symbols can appear in the display during operation.

Symbol	Description
	This symbol appears by the information sign if there is information in menu 3.1 that you should note.
	These two symbols indicate whether the compressor or addition is blocked in F730. These can, for example, be blocked depending on which operating mode is selected in menu 4.2, if blocking is scheduled in menu 4.9.5 or if an alarm has occurred that blocks one of them. Blocking the compressor. Blocking additional heat.
	This symbol appears if periodic increase or lux mode for the hot water is activated.
	This symbol indicates whether "holiday setting" is active in 4.7.
	This symbol indicates whether F730 has contact with Uplink.
	This symbol indicates the actual speed of the fan if the speed has changed from the normal setting.
	This symbol indicates whether solar heating is active. Accessory needed.



## Operation

To move the cursor, turn the control knob to the left or the right. The marked position is white and/or has a turned up tab.

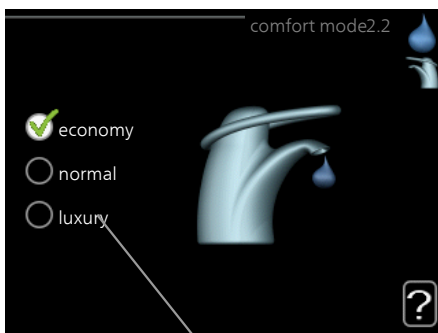


## Selecting menu


To advance in the menu system select a main menu by marking it and then pressing the OK button. A new window then opens with sub menus.

Select one of the sub menus by marking it and then pressing the OK button.



## Selecting options



Alternative

In an options menu the current selected option is indicated by a green tick. 

To select another option:





1. Mark the applicable option. One of the options is pre-selected (white). 
2. Press the OK button to confirm the selected option. The selected option has a green tick. 

## Setting a value

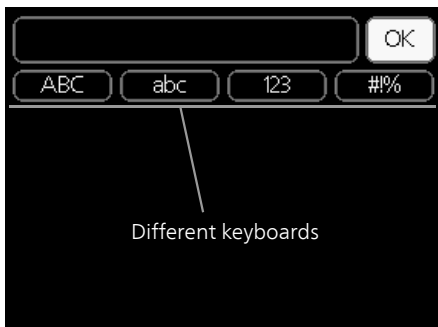


Values to be changed

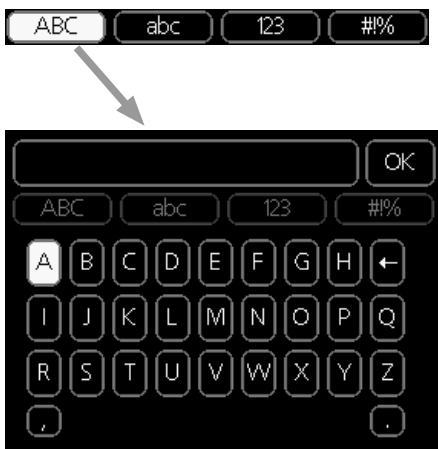
To set a value:

1. Mark the value you want to set using the control knob. 
2. Press the OK button. The background of the value becomes green, which means that you have accessed the setting mode. 
3. Turn the control knob to the right to increase the value and to the left to reduce the value. 
4. Press the OK button to confirm the value you have set. To change and return to the original value, press the Back button. 

## Use the virtual keyboard



In some menus where text may require entering, a virtual keyboard is available.



Depending on the menu, you can gain access to different character sets which you can select using the control knob. To change character table, press the Back button. If a menu only has one character set the keyboard is displayed directly.

When you have finished writing, mark "OK" and press the OK button.

## Scroll through the windows

A menu can consist of several windows. Turn the control knob to scroll between the windows.



Current menu window      Number of windows in the menu

## Scroll through the windows in the start guide



Arrows to scroll through window in start guide

1. Turn the control knob until one of the arrows in the top left corner (at the page number) has been marked.
2. Press the OK button to skip between the steps in the start guide.

## Help menu



In many menus there is a symbol that indicates that extra help is available.

To access the help text:

1. Use the control knob to select the help symbol.
2. Press the OK button.

The help text often consists of several windows that you can scroll between using the control knob.

# 8 Control - Menus

## Menu 1 - INDOOR CLIMATE

### Overview

1 - INDOOR CLIMATE	1.1 - temperature	
	1.2 - ventilation	
	1.3 - scheduling	1.3.1 - heating
		1.3.3 - ventilation
	1.9 - advanced	1.9.1.1 - heating curve
		1.9.2 - external adjustment
		1.9.3 - min. flow line temp.
		1.9.4 - room sensor settings
		1.9.6 - fan return time
		1.9.7 - own curve
	1.9.8 - point offset	
	1.9.9 - night cooling	

## Menu 2 - HOT WATER

### Overview

2 - HOT WATER	2.1 - temporary lux	
	2.2 - comfort mode	
	2.3 - scheduling	
	2.9 - advanced	2.9.1 - periodic increase
		2.9.2 - hot water recirc. *

\* Accessory needed.

## Menu 3 - INFO

### Overview

3 - INFO	3.1 - service info
	3.2 - compressor info
	3.3 - add. heat info
	3.4 - alarm log
	3.5 - indoor temp. log

## Menu 4 - HEAT PUMP

### Overview

4 - HEAT PUMP	4.1 - plus functions *	4.1.3 - internet	4.1.3.1 - Uplink
			4.1.3.8 - tcp/ip settings
			4.1.3.9 - proxy settings
		4.1.4 - sms *	
		4.1.5 - SG Ready	
		4.1.6 - smart price adaption™	
		4.1.7 - smart home	
	4.2 - op. mode		
	4.3 - my icons		
	4.4 - time & date		
	4.6 - language		
	4.7 - holiday setting		
	4.9 - advanced	4.9.1 - op. prioritisation	
		4.9.2 - auto mode setting	
		4.9.3 - degree minute setting	
		4.9.4 - factory setting user	
		4.9.5 - schedule blocking	

\* Accessory needed.

## Menu 5 - SERVICE

### Overview

5 - SERVICE	5.1 - operating settings	5.1.1 - hot water settings
		5.1.2 - max flow line temperature
		5.1.3 - max diff flow line temp.
		5.1.4 - alarm actions
		5.1.5 - fan sp. exhaust air
		5.1.10 - op. mod heat med pump
		5.1.11 - pump speed heating medium
		5.1.12 - internal electrical addition
		5.1.14 - flow set. climate system
		5.1.24 - blockFreq
		5.1.25 - time filter alarm
	5.2 - system settings	
	5.3 - accessory settings	5.3.3 - extra climate system *
		5.3.11 - modbus *
		5.3.17 - outdoor air mixing
	5.4 - soft in/outputs	
	5.5 - factory setting service	
	5.6 - forced control	
	5.7 - start guide	
	5.8 - quick start	
	5.9 - floor drying function	
	5.10 - change log	
	5.12 - country	

\* Accessory needed.

Go to the main menu and hold the Back button in for 7 seconds to access the Service menu.

### Sub-menus

Menu **SERVICE** has orange text and is intended for the advanced user. This menu has several sub-menus. Status information for the relevant menu can be found on the display to the right of the menus.

**operating settings** Operating settings for the heat pump.

**system settings** System settings for the heat pump, activating accessories etc.

**accessory settings** Operational settings for different accessories.

**soft in/outputs** Setting software controlled in and outputs on the input circuit board (AA3).

**factory setting service** Total reset of all settings (including settings available to the user ) to default values.

**forced control** Forced control of the different components in the heat pump.

**start guide** Manual start of the start guide which is run the first time the heat pump is started.

**quick start** Quick starting the compressor.



#### NOTE

Incorrect settings in the service menus can damage the heat pump.

### Menu 5.1 - operating settings

Operating settings can be made for the heat pump in the sub menus.

## Menu 5.1.1 - hot water settings

### **economy**

Setting range start temp. economy: 5 - 55 °C

Factory setting start temp. economy : 42 °C

Setting range stop temp. economy: 5 - 60 °C

Factory setting stop temp. economy : 46 °C

### **normal**

Setting range start temp. normal: 5 - 60 °C

Factory setting start temp. normal : 46 °C

Setting range stop temp. normal: 5 - 65 °C

Factory setting stop temp. normal : 50 °C

### **luxury**

Setting range start temp. lux: 5 - 70 °C

Factory setting start temp. lux : 49 °C

Setting range stop temp. lux: 5 - 70 °C

Factory setting stop temp. lux : 53 °C

### **stop temp. per. increase**

Setting range: 55 – 70 °C

Factory setting: 55 °C

Here you set the start and stop temperature of the hot water for the different comfort options in menu 2.2 as well as the stop temperature for periodic increase in menu 2.9.1.

With "high power" activated, the hot water is charged with greater power than standard mode and therefore has a faster recharging time.

## Menu 5.1.2 - max flow line temperature

### **climate system**

Setting range: 20-70 °C

Default value: 60 °C

Set the maximum supply temperature for the climate system here. If the installation has more than one climate system, individual maximum supply temperatures can be set for each system. Climate systems 2 - 8 cannot be set to a higher max supply temperature than climate system 1.



#### **Caution**

Underfloor heating systems are normally **max flow line temperature** set between 35 and 45 °C.

Check the max floor temperature with your floor supplier.

## Menu 5.1.3 - max diff flow line temp.

### **max diff compressor**

Setting range: 1 – 25 °C

Default value: 10 °C

### **max diff addition**

Setting range: 1 – 24 °C

Default value: 7 °C

Here you set the maximum permitted difference between the calculated and actual supply temperature during compressor respectively add. heat mode. Max diff. additional heat can never exceed max diff. compressor

### **max diff compressor**

If the current supply temperature **exceeds** the calculated flow with set value, the degree minute value is set to 0. The compressor in the heat pump stops when there is only a heating demand.

### **max diff addition**

If "addition" is selected and activated in menu 4.2 and the present supply temp **exceeds** the calculated with set value, the additional heat is forced to stop.

## Menu 5.1.4 - alarm actions

Select how you want the heat pump to alert you that there is an alarm in the display here.

The different alternatives are that the heat pump stops producing hot water (default setting) and/or reduces the room temperature.



#### **Caution**

If no alarm action is selected, it can result in higher energy consumption in the event of an alarm.



## Menu 5.1.5 - fan sp. exhaust air

### *normal and speed 1-4*

Setting range: 0 – 100 %

Set the speed for the five different selectable speeds for the fan here. You can also select "adjusting ventilation" and "fan synch. operation".

### *adjusting ventilation*

Tick "adjusting ventilation" in conjunction with ventilation adjustment. The selection is active for as long as you remain in the menu but deactivates when you leave the menu.

### *fan synch. operation*

Select whether the fan is to maintain the same speed, regardless of whether the compressor is operating or not, or alternatively run at different speeds. If the function is activated, fan speed 2 applies when the compressor is not in operation, and normal fan speed applies when the compressor is in operation.



#### **Caution**

An incorrectly set ventilation flow can damage the house and may also increase energy consumption.

## Menu 5.1.5.1 - adjusting ventilation

### *fan speed*

Setting range: 0-100 %

Factory setting: the value selected in "normal" in menu 5.1.5.

### *actual air flow*

Setting range: 1 – 400 m<sup>3</sup>/h

Factory setting: 0 m<sup>3</sup>/h

Here, you set the air flow and adjust the fan speed at ventilation adjustment.

**"adjusting ventilation"**: Activate this function while the ventilation is being adjusted.

**"fan speed"**: Here you can adjust the fan speed while "adjusting ventilation" is activated.



#### **NOTE**

If the fan speed is too high during adjustment, information that it needs to be reduced is given at the bottom of the page.

**"actual air flow"**: Here, you set the real air flow as measured during the ventilation adjustment.



#### **NOTE**

When this setting is made, it is important that the ventilation flow is in a stable condition.

The function is deactivated when you exit the menu.

## Menu 5.1.10 - op. mod heat med pump

### *op. mode*

Setting range: auto, intermittent

Default value: auto

Default value: intermittent

Set the operating mode of the heating medium pump here.

**auto**: The heating medium pump runs according to the current operating mode for F730.

**intermittent**: The heating medium pump starts approx. 20 seconds before and stops at the same time as the compressor.

## Menu 5.1.11 - pump speed heating medium

### *heating*

Setting range: 1 - 100 %

Factory setting: 70 %

### *hot water*

Setting range: 1 - 100 %

Factory setting: 70 %

### *wait mode*

Setting range: 1 - 100 %

Default values: 30 %

### *max. allowed speed*

Setting range: 50 - 100 %

Default values: 100 %

Here you set whether the heating medium pump's speed is to be regulated automatically or manually during heating and hot water. Select "auto" if the speed of the heating medium pump is to be regulated automatically (factory setting) for optimal operation. Select manual if you want to set the heating medium pump speed yourself, during heating and hot water.

If "auto" is activated for heating operation or hot water you can also make the setting "max. allowed speed", which restricts the heating medium pump and does not allow it to run at a higher speed than the set value.

**"wait mode"** means operating mode heating for the heating medium pump but when the heat pump neither has a need for compressor operation nor electrical addition and slows down.

## Menu 5.1.12 - internal electrical addition

### **max. set electrical output (SG Ready)**

Setting range: 0 - 6.5 kW

Default values: 6.5 kW

### **fuse size**

Setting range: 1 - 200 A

Factory setting: 16 A

### **transformation ratio**

Setting range: 300 - 3000

Factory setting: 300

Here you set the max. electrical output of the internal electric additional heat in F730 during normal operation and overcapacity mode (SG Ready), as well as the fuse size and transformer ratio for the installation. The transformer ratio is the factor that is used to convert the metered voltage to current.

## Menu 5.1.14 - flow set. climate system

### **presettings**

Setting range: radiator, floor heat., rad. + floor heat., DOT °C

Default value: radiator

Setting range DOT: -40.0 – 20.0 °C

Factory setting DOT: -18.0 °C

### **own setting**

Setting range dT at DOT: 0.0 – 25.0

Factory setting dT at DOT: 10.0

Setting range DOT: -40.0 – 20.0 °C

Factory setting DOT: -18.0 °C

The type of heating distribution system the heating medium pump (GP1) works towards is set here.

dT at DOT is the difference in degrees between flow and return temperatures at dimensioned outdoor temperature.

## Menu 5.1.24 - blockFreq

### **from frequency**

Setting range: 20 - 115 Hz

Factory setting: 20 Hz

Maximum setting range: 50 Hz.

### **to frequency**

Setting range: 25 - 120 Hz

Factory setting: 25 Hz

Maximum setting range: 50 Hz.

Here you can set frequencies that are not to be permitted for the compressor. It is possible to restrict two different frequencies. Each frequency is restricted to between 3 and 50 Hz.



#### **NOTE**

A large blocked frequency range can cause the compressor to run jerkily.



#### **NOTE**

Blocking peak output in F730 can lead to reduced savings.

## Menu 5.1.25 - time filter alarm

### **months btwn filter alarms**

Setting range: 1 – 24

Factory setting: 3

Here you set the number of months between alarms for a reminder to clean the filter in F730.

## Menu 5.2 - system settings

Inform the heat pump which accessories are installed here.

There are two ways of activating connected accessories. You can either mark the alternative in the list or use the automatic function "search installed acc."

### **search installed acc.**

Mark "search installed acc." and press the OK button to automatically find connected accessories for F730.

## Menu 5.3 - accessory settings

The operating settings for accessories that are installed and activated are made in the sub-menus for this.

This is also where you activate the outdoor air damper.

### Menu 5.3.3 - extra climate system

#### **mixing valve amplifier**

Setting range: 0.1 – 10.0

Default value: 1.0

#### **mixing valve step delay**

Setting range: 10 – 300 s

Default values: 30 s

The shunt amplification and shunt waiting time for the different extra climate systems that are installed are also set here.

See the accessory installation instructions for function description.

### Menu 5.3.11 - modbus

#### **address**

Factory setting: address 1

From and including Modbus 40 version 10 the address can be set between 1 - 247. Earlier versions have a static address.

See the accessory installation instructions for function description.

### Menu 5.3.17 - outdoor air mixing

#### **max. outdoor air temp.**

Setting range: 0 - 40 °C

Factory setting: 10 °C

#### **fan speed outdoor air**

Setting range: 50 - 100 %

Factory setting: 100 %

Activate adjusting the ventilation for the outdoor air mixture here. During the time that the adjustment is active the fan runs according to the set value "fan speed outdoor air" and the outdoor air damper is open.

**max. outdoor air temp.:** Maximum limit for when outdoor mixing function can be active.

**fan speed outdoor air:** The speed the fan runs at when the outdoor air mixing function is active.

## Menu 5.4 - soft in/outputs

Here you can select the input/output on the input board (AA3) to which the external switch function (page 25) is to be connected.

Selectable inputs on terminal block AUX 1-5 (AA3-X6:9-18) and output AA3-X7 on the input board.

## Menu 5.5 - factory setting service

All settings can be reset (including settings available to the user) to default values here.



#### **NOTE**

When resetting, the start guide is displayed the next time the heat pump is restarted.

## Menu 5.6 - forced control

You can force control the different components in the heat pump and any connected accessories here.

## Menu 5.7 - start guide

When the heat pump is started for the first time the start guide starts automatically. Start it manually here.

See page 30 for more information about the start guide.

## Menu 5.8 - quick start

It is possible to start the compressor from here.



#### **Caution**

There must be a heating or hot water demand to start the compressor.



#### **Caution**

Do not quick start the compressor too many times over a short period of time as this may damage the compressor and its surrounding equipment.

## Menu 5.9 - floor drying function

### ***length of period 1 – 7***

Setting range: 0 – 30 days

Factory setting, period 1 – 3, 5 – 7: 2 days

Factory setting, period 4: 3 days

### ***temp. period 1 – 7***

Setting range: 15 – 70 °C

Default value:

temp. period 1	20 °C
temp. period 2	30 °C
temp. period 3	40 °C
temp. period 4	45 C
temp. period 5	40 °C
temp. period 6	30 °C
temp. period 7	20 °C

Set the function for under floor drying here.

You can set up to seven period times with different calculated flow temperatures. If less than seven periods are to be used, set the remaining period times to 0 days.

Mark the active window to activate the underfloor drying function. A counter at the bottom shows the number of days the function has been active.



#### **TIP**

If operating mode "add. heat only" is to be used, select it in menu 4.2.

## Menu 5.10 - change log

Read off any previous changes to the control system here.

The date, time and ID no. (unique to certain settings) and the new set value is shown for every change.



#### **NOTE**

The change log is saved at restart and remains unchanged after factory setting.

## 5.12 - country

Select here where the product was installed. This allows access to country specific settings in your product.

Language settings can be made regardless of this selection.



#### **NOTE**

This option locks after 24 hours, restart of display or program updating.

# 9 Service



## NOTE

Servicing and maintenance should only be carried out by persons with the necessary expertise.

When replacing components on F730 only replacement parts from NIBE may be used.

## Maintenance

Inform the user of necessary maintenance action.

### Cleaning the overflow cup/floor drain

Regularly check that the overflow cup and any floor drains are not blocked; water must be able to run through freely. Clean, if necessary.



## NOTE

If the overflow cup or floor drain is blocked, water can run over onto the floor of the installation area. To prevent damage to the building the floor coating must be considered. A waterproof floor or floor membrane is recommended.

## Service actions

### Emergency mode

Emergency mode is used in event of operational interference and in conjunction with service.

Emergency mode is activated by setting switch (SF1) in mode "▲". This means that:

- The status lamp illuminates yellow.
- The display is not lit and the control computer is not connected.
- The temperature at the immersion heater is controlled by the thermostat (FD1-BT30). It can be set either to 35 or 45 °C.
- The compressor is off and only the fan, heating medium pump and the electric additional heat are active. The additional heat power in emergency mode is set in the immersion heater card (AA1). See page 23 for instructions.

### Draining the water heater

The water heater can be drained via the safety valve (FL1) or via the overflow cup (WM1).

1. Disconnect the overflow pipe from the safety valve (FL1) and connect a hose to a draining pump instead. If a draining pump is not available, the water can be released into the overflow cup (WM1).
2. Open the safety valve (FL1).
3. Open a hot water tap to let air into the system. If this is not sufficient, detach the pipe connection (XL4) on the hot water side and ensure that air is entering.

### Draining the climate system

In order to carry out service on the climate system, it may be easier to drain the system first.



## NOTE

There may be some hot water when draining the heating medium side/climate system. There is a risk of scalding.

The hot water can be drained through the safety valve (FL2) via the overflow cup (WM1) or through a hose that is connected to the safety valve's (FL2) or the drain valve's (XL10) outlet.

1. Open the safety valve (FL2) or the drain valve (XL10).
2. Set the vent valves for the climate system (QM20), (QM22), (QM24), (QM26) in the open position for air supply.



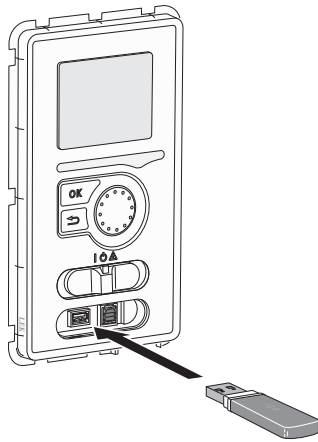
## NOTE

The heat pump should not, after draining, be exposed to risk of freezing because a certain of water remains in the coil.

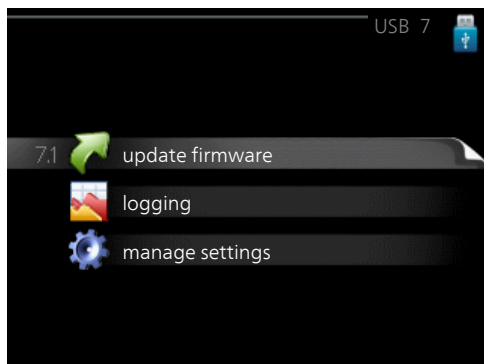
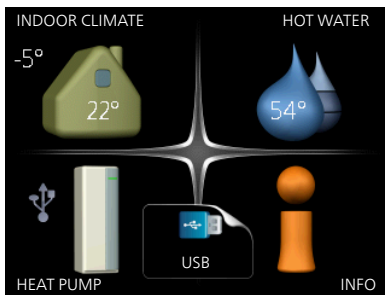
## Temperature sensor data

Temperature (°C)	Resistance (kOhm)	Voltage (VDC)
-40	351.0	3.256
-35	251.6	3.240
-30	182.5	3.218
-25	133.8	3.189
-20	99.22	3.150
-15	74.32	3.105
-10	56.20	3.047
-5	42.89	2.976
0	33.02	2.889
5	25.61	2.789
10	20.02	2.673
15	15.77	2.541
20	12.51	2.399
25	10.00	2.245
30	8.045	2.083
35	6.514	1.916
40	5.306	1.752
45	4.348	1.587
50	3.583	1.426
55	2.968	1.278
60	2.467	1.136
65	2.068	1.007
70	1.739	0.891
75	1.469	0.785
80	1.246	0.691
85	1.061	0.607
90	0.908	0.533
95	0.779	0.469
100	0.672	0.414

## USB service outlet

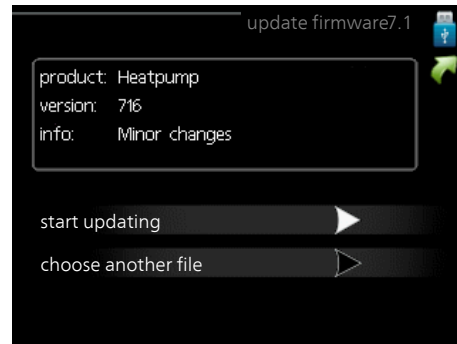


The display unit is equipped with a USB socket that can be used to update the software, save logged information and handle the settings in F730.



When a USB memory is connected a new menu (menu 7) appears in the display.

## Menu 7.1 - update firmware



This allows you to update the software in F730.



### NOTE

For the following functions to work the USB memory must contain files with software for F730 from NIBE.

The fact box at the top of the display shows information (always in English) of the most probable update that the update software has selected from the USB memory.

This information states which product the software is intended for, the software version and general information about them. If you wish to select another file than the one selected, the correct file can be selected by "choose another file".

### start updating

Select "start updating" if you want to start the update. You are asked whether you really want to update the software. Respond "yes" to continue or "no" to undo.

If you responded "yes" to the previous question the update starts and you can now follow the progress of the update on the display. When the update is complete F730 restarts.



### NOTE

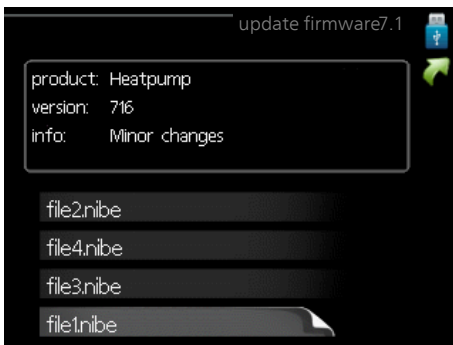
A software update does not reset the menu settings in F730.



### NOTE

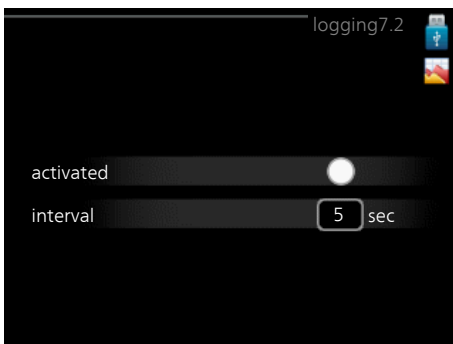
If the update is interrupted before it is complete (for example power cut etc.), the software can be reset to the previous version if the OK button is held in during start up until the green lamp starts to illuminate (takes about 10 seconds).

### choose another file



Select "choose another file" if you do not want to use the suggested software. When you scroll through the files, information about the marked software is shown in a fact box just as before. When you have selected a file with the OK button you will return to the previous page (menu 7.1) where you can choose to start the update.

### Menu 7.2 - logging



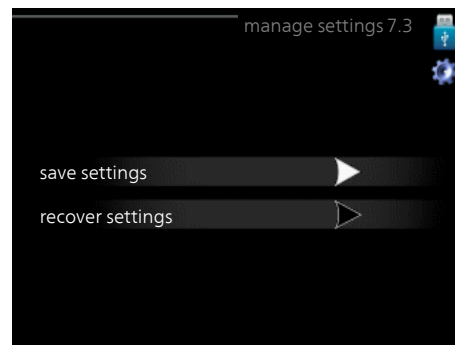
Setting range: 1 s – 60 min  
Factory setting range: 5 s

Here you can choose how current measurement values from F730 should be saved onto a log file on the USB memory.

1. Set the desired interval between loggings.
2. Tick "activated".
3. The present values from F730 are saved in a file in the USB memory at the set interval until "activated" is unticked.

**NOTE**  
Untick "activated" before removing the USB memory.

### Menu 7.3 - manage settings



Here you can manage (save as or retrieve from) all the menu settings (user and service menus) in F730 with a USB memory.

Via "save settings" you save the menu settings to the USB memory in order to restore them later or to copy the settings to another F730.

**NOTE**  
When you save the menu settings to the USB memory you replace any previously saved settings on the USB memory.

Via "recover settings" you reset all menu settings from the USB memory.

**NOTE**  
Reset of the menu settings from the USB memory cannot be undone.



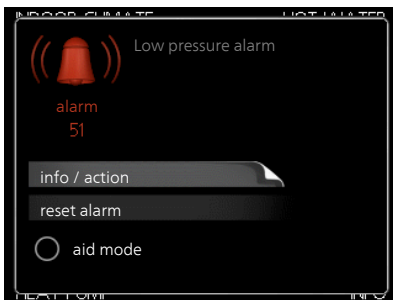
# 10 Disturbances in comfort

In most cases, the heat pump notes operational interference (operational interference can lead to disturbance in comfort) and indicates this with alarms and shows action instructions in the display.

## Info-menu

All the heat pump measurement values are gathered under menu 3.1 in the heat pump menu system. Looking through the values in this menu can often simplify finding the source of the fault. See help menu or user manual for more information about menu 3.1.

## Manage alarm



In the event of an alarm, some kind of malfunction has occurred, which is indicated by the status lamp changing from green continuously to red continuously. In addition, an alarm bell appears in the information window.

### Alarm

In the event of an alarm with a red status lamp a malfunction has occurred that the heat pump cannot remedy itself. In the display, by turning the control knob and pressing the OK button, you can see the type of alarm it is and reset it. You can also choose to set the heat pump to aid mode.

**info / action** Here you can read what the alarm means and receive tips on what you can do to correct the problem that caused the alarm.

**reset alarm** In most cases it is enough to select "reset alarm" to correct the problem that caused the alarm. If a green light illuminates after selecting "reset alarm" the alarm has been remedied. If a red light is still visible and a menu called "alarm" is visible in the display, the problem that caused the alarm remains. If the alarm disappears and then returns, see the section "Troubleshooting".

**aid mode** "aid mode" is a type of emergency mode. This means that the heat pump produces heat and/or hot water despite there being some kind of problem. This can mean that the heat pump's compressor is not running. In this case the immersion heater produces heat and/or hot water.



#### NOTE

To select aid mode an alarm action must be selected in the menu 5.1.4.



#### Caution

Selecting "aid mode" is not the same as correcting the problem that caused the alarm. The status lamp will therefore continue to be red.

## Troubleshooting

If the operational interference is not shown in the display the following tips can be used:

### Basic actions

Start by checking the following possible fault sources:

- The switch's (SF1) position.
- Group and main fuses of the accommodation.
- Earth-fault breaker.
- The heat pump's miniature circuit breaker (FA1).
- The heat pump's temperature limiter (FD1).

### Low hot water temperature or a lack of hot water

- Closed or choked filling valve (QM10) for the hot water heater.
  - Open the valve.
- Heat pump in incorrect operating mode.
  - Enter menu 4.2. If mode "auto" is selected, select a higher value on "stop additional heat" in menu 4.9.2.
  - If mode "manual" is selected, select "addition".
- Large hot water consumption.
  - Wait until the hot water has heated up. Temporarily increased hot water capacity (temporary lux) can be activated in menu 2.1.
- Too low hot water setting.
  - Enter menu 2.2 and select a higher comfort mode.
- Too low or no operating prioritisation of hot water.
  - Enter menu 4.9.1 and increase the time for when hot water is to be prioritised. Note that if the time for hot water is increased, the time for heating production is reduced, which can give lower/uneven room temperatures.

### Low room temperature

- Closed thermostats in several rooms.
  - See the "Saving tips" section in the User manual for more detailed information about how to best set the thermostats.
- Heat pump in incorrect operating mode.
  - Enter menu 4.2. If mode "auto" is selected, select a higher value on "stop heating" in menu 4.9.2.
  - If mode "manual" is selected, select "heating". If this is not enough, select "addition".

- Too low set value on the automatic heating control.
  - Enter menu 1.1 "temperature" and adjust the offset heating curve up. If the room temperature is only low in cold weather the curve slope in menu 1.9.1 "heating curve" needs adjusting up.
- Too low or no operating prioritisation of heat.
  - Enter menu 4.9.1 and increase the time for when heating is to be prioritised. Note that if the time for heating is increased the time for hot water production is reduced, which can give smaller amounts of hot water.
- "comfort mode" "luxury" selected in combination with large hot water outlet.
  - Enter menu 2.2 and select "economy" or "normal".
- "Holiday mode" activated in menu 4.7.
  - Enter menu 4.7 and select "Off".
- External switch for changing the room heating activated.
  - Check any external switches.
- The heating medium pump (GP1 has stopped).
- Air in the heating system.
  - Vent the heating system (see page 29).
- Incorrect value set in menu 5.1.12.
  - Enter menu 5.1.12 and increase the value on "set max electrical add."

### High room temperature

- Too high set value on the automatic heating control.
  - Enter menu 1.1 (temperature) and reduce the offset heating curve. If the room temperature is only high in cold weather the curve slope in menu 1.9.1 "heating curve" needs adjusting down.
- External switch for changing the room heating activated.
  - Check any external switches.

### Low system pressure

- Not enough water in the heating system.
  - Top up the water in the heating system (see page 29).

### Low or a lack of ventilation

- Filter (HQ10) blocked.
  - Clean or replace the filter.
- The ventilation is not adjusted.
  - Order/implement ventilation adjustment.
- Exhaust air device blocked or throttled down too much.
  - Check and clean the exhaust air devices.
- Fan speed in reduced mode.
  - Enter menu 1.2 and select "normal".
- External switch for changing the fan speed activated.
  - Check any external switches.

### High or distracting ventilation

- Filter (HQ10) blocked.
  - Clean or replace the filter.
- The ventilation is not adjusted.
  - Order/implement ventilation adjustment.
- Fan speed in forced mode.
  - Enter menu 1.2 and select "normal".
- External switch for changing the fan speed activated.
  - Check any external switches.

### The compressor does not start

- There is no heating requirement.
  - The heat pump does not call on heating nor hot water.
  - The heat pump defrosts.
- Compressor blocked due to the temperature conditions.
  - Wait until the temperature is within the product's working range.
- Minimum time between compressor starts has not been reached.
  - Wait 30 minutes and then check if the compressor has started.
- Alarm tripped.
  - Follow the display instructions.

# 11 Accessories

Not all accessories are available on all markets.

## Communications module MODBUS 40

MODBUS 40 enables F730 to be controlled and monitored using a DUC (computer sub-centre) in the building. Communication is then performed using MODBUS-RTU.

Part no 067 144

## Communications module SMS 40

When there is no internet connection, you can use the accessory SMS 40 to control F730 via SMS.

Part no 067 073

## Docking kit DEW 41

DEW 41 means that F730 can be connected to water heater VPB 200.

Part no. 067 537

## Docking kits SCA 43

SCA 43 means that F730 can be connected to the tanks AHPS/AHPH/VPB 300.

Part no. 067 540

## Extra shunt group ECS 40/ECS 41

This accessory is used when F730 is installed in houses with two or more different heating systems that require different supply temperatures.

### **ECS 40 (Max 80 m<sup>2</sup>)**

Part no 067 287

### **ECS 41 (approx. 80-250 m<sup>2</sup>)**

Part no 067 288

## Outdoor air mixing OEK 20-160

OEK 20-160 is an accessory that enables F730 to operate with both exhaust air and outdoor air.

Part no. 067 535

## Room unit RMU 40

RMU 40 means that control and monitoring of F730 can be carried out in a different part of your home to where it is located.

Part no 067 064

## Splitter kit DK1 10

For split installation of F730.

Part no. 089 777

## Top cabinet

Top cabinet that conceals the ventilation ducts and reduces the sound to the installation room by 1-2 dB(A).

### **Height 245 mm**

Part no. 089 756

### **Height 345 mm**

Part no. 089 757

### **Height 445 mm**

Part no. 067 522

### **Height 385-635 mm**

Part no. 089 758

## Water heater/Accumulator tank

### **AHPS**

Accumulator tank without an immersion heater with solar coil (copper) and a hot water coil (stainless steel).

Requires that the entire installation (F730 and AHPS) is positioned at a distance of 60 mm from the rear wall. Requires docking kit.

Part no. 056 283

### **AHPH**

Accumulator tank without an immersion heater with integrated hot water coil (stainless steel).

Requires that the entire installation (F730 and AHPH) is positioned at a distance of 60 mm from the rear wall. Requires docking kit.

Part no. 081 036

### **VPB**

Water heater without immersion heater with charge coil. Requires docking kit.

### **VPB 200**

Copper Part no. 088 515

Enamel Part no. 088 517

Stainless Part no. 088 518

steel

### **VPB 300**

Copper Part no. 083 009

Enamel Part no. 083 011

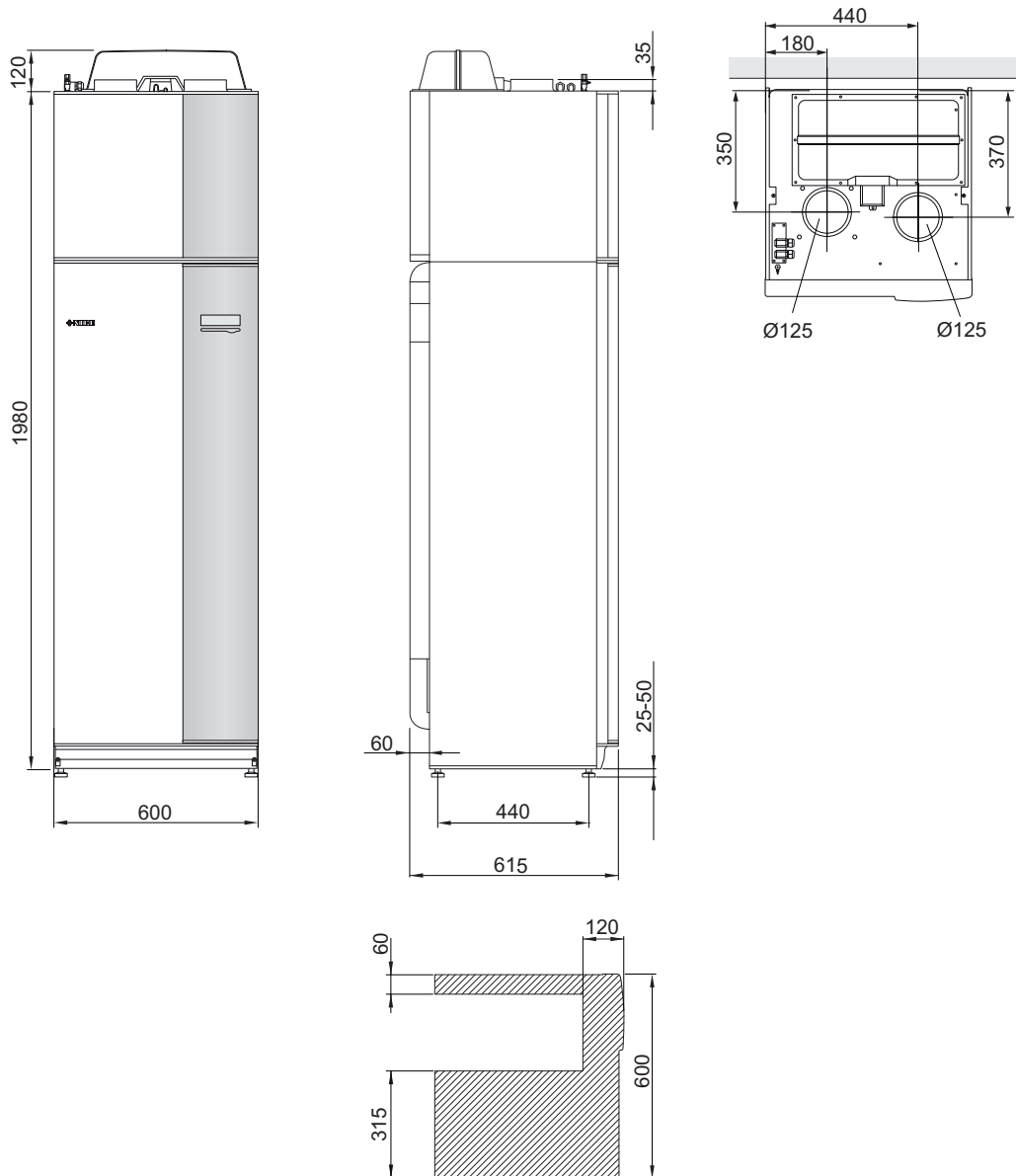
Stainless Part no. 083 010

steel

# 12 Technical data

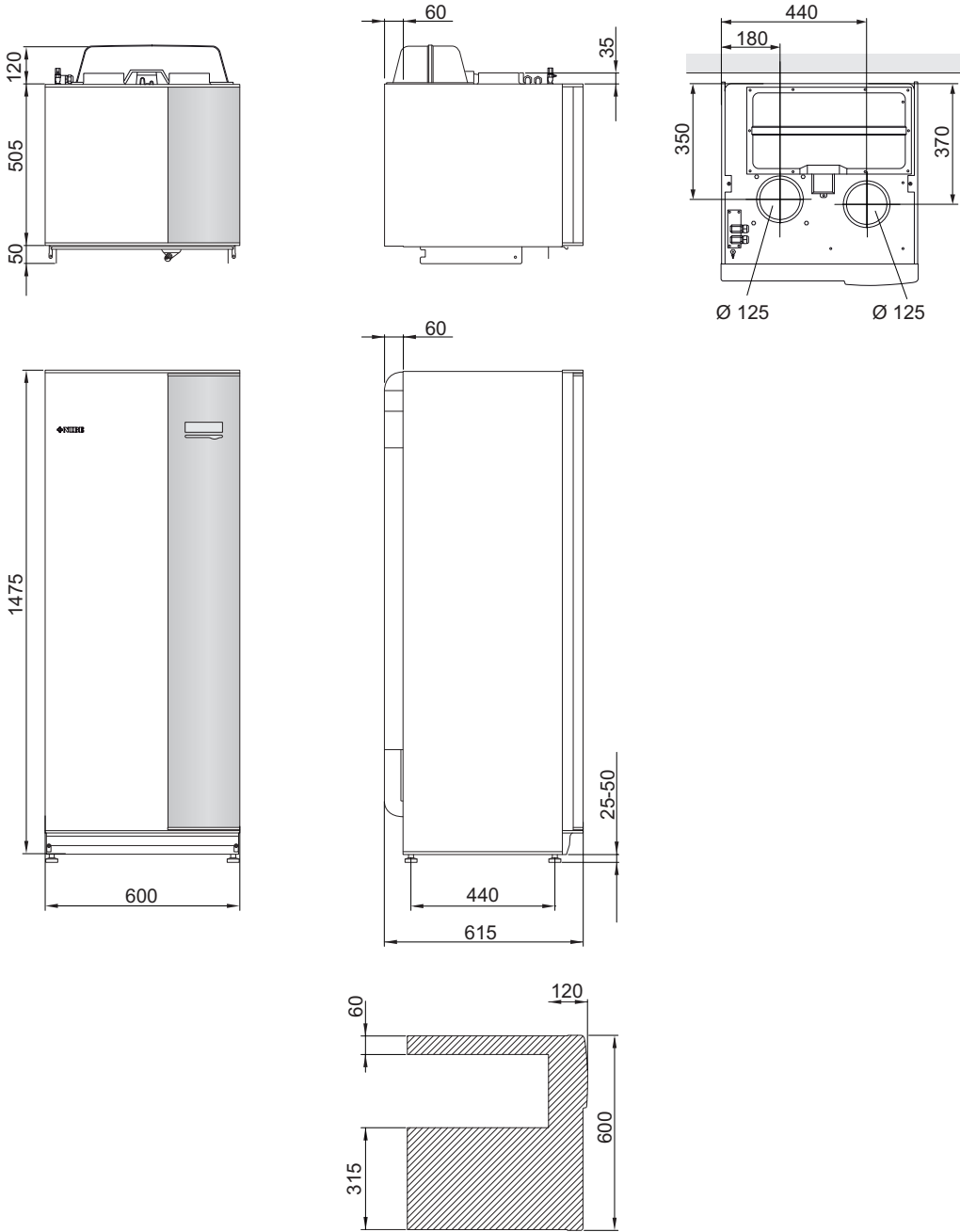
## Dimensions and setting-out coordinates

F730 installed as one unit.



Avoid routing pipes through the marked area

F730 at separated installation.



Avoid routing pipes through the marked area

## Technical specifications



1x230 V		Stainless
<i>Output data according to EN 14 511</i>		
Specified heating output (P <sub>H</sub> ) <sup>1</sup>	kW	1.27
COP <sup>1</sup>		4.79
Specified heating output (P <sub>H</sub> ) <sup>2</sup>	kW	1.53
COP <sup>2</sup>		5.32
Specified heating output (P <sub>H</sub> ) <sup>3</sup>	kW	5.35
COP <sup>3</sup>		2.43
<i>Output data according to EN 14 825</i>		
Rated heating output (P <sub>designh</sub> )	kW	5
SCOP cold climate, 35 °C / 55 °C	kW	4.65 / 3.57
SCOP average climate, 35 °C / 55 °C	kW	4.35 / 3.38
SCOP warm climate, 35 °C / 55 °C	kW	4.44 / 3.40
<i>Additional power</i>		
Max power, immersion heater (factory setting)	kW	6.5 (3.5)
<i>Electrical data</i>		
Rated voltage	V	230 V ~ 50 Hz
Max operating current	A	42.4
Min. fuse rating	A	16
Drive output heating medium pump	W	5-45
Driving power exhaust air fan	W	25-140
Enclosure class		IP 21
<i>Refrigerant circuit</i>		
Type of refrigerant		R407C
GWP refrigerant		1774
Volume	kg	0.74
CO <sub>2</sub> equivalent	ton	1.312
Cut-out value pressostat HP	MPa/bar	2.9 / 29.0
Cut-out value pressostat LP	MPa/bar	0.05 / 0.5
<i>Heating medium circuit</i>		
Opening pressure, safety valve	MPa/bar	0.25 / 2.5
Max temperature, supply line (factory setting)	°C	70 (60)
<i>Ventilation</i>		
Min. airflow	l/s	21
<i>Sound effect level according to EN 12 102</i>		
Sound power level (L <sub>W(A)</sub> ) <sup>4</sup>	dB(A)	40-55
<i>Sound pressure levels</i>		
Sound pressure level in the boiler room (L <sub>P(A)</sub> ) <sup>5</sup>	dB(A)	36-51
<i>Pipe connections</i>		
Heating medium ext Ø	mm	22
Hot water ext Ø	mm	22
Cold water ext Ø	mm	22
Ventilation Ø	mm	125

Other 1x230 V		Stainless
<i>Water heater and heating section</i>		
Volume heating section	litre	10
Volume, hot water heater	litre	180
Max pressure in hot water heater	MPa/bar	1.0/10
<i>Capacity, hot water</i>		
Tap volume 40 °C according to <b>EN 255-3</b> ( $V_{max}$ ) <sup>6,7</sup>	litre	213 - 273
Tap volume 40 °C according to <b>EN 16 147</b> ( $V_{max}$ ) <sup>6,7</sup>	litre	177 - 227
COP at Normal comfort (COP <sub>t</sub> )		2.28
Idle loss at Normal comfort (P <sub>es</sub> )	W	50
<i>Dimensions and weight</i>		
Width	mm	600
Depth	mm	610
Height excl. inverter box, incl. feet	mm	2,000 - 2,025
Required ceiling height	mm	2,170
Weight	kg	185
Part No.		066 074

<sup>1</sup>A20(12)W35, exhaust air flow 25 l/s (90 m<sup>3</sup>/h) min compressor frequency

<sup>2</sup>A20(12)W35, exhaust air flow 70 l/s (252 m<sup>3</sup>/h) min compressor frequency

<sup>3</sup>A20(12)W45, exhaust air flow 70 l/s (252 m<sup>3</sup>/h) max compressor frequency

<sup>4</sup>The value varies with the selected fan curve. For more extensive sound data including sound to channels visit nibe.eu.

<sup>5</sup> The value can vary with the room's damping capacity. These values apply at a damping of 4 dB.

<sup>6</sup>A20(12) exhaust air flow 50 l/s (180 m<sup>3</sup>/h)

<sup>7</sup>The value varies depending on choice of comfort mode (economy, normal and lux)

# Energy labelling

## Information sheet

Supplier		NIBE
Model		F730
Temperature application	°C	35 / 55
Declared load profile for water heating		<b>L</b>
Seasonal space heating energy efficiency class, average climate		<b>A++ / A++</b>
Water heating energy efficiency class, average climate		<b>A</b>
Rated heat output ( $P_{\text{designh}}$ ), average climate	kW	5 / 5
Annual energy consumption space heating, average climate	kWh	2121 / 2756
Annual energy consumption water heating, average climate	kWh	1123
Seasonal space heating energy efficiency, average climate	%	172 / 132
Water heating energy efficiency, average climate	%	91
Sound power level $L_{\text{WA}}$ indoors	dB	44
Rated heat output ( $P_{\text{designh}}$ ), cold climate	kW	5 / 5
Rated heat output ( $P_{\text{designh}}$ ), warm climate	kW	5 / 5
Annual energy consumption space heating, cold climate	kWh	2389 / 3105
Annual energy consumption water heating, cold climate	kWh	1123
Annual energy consumption space heating, warm climate	kWh	1359 / 1766
Annual energy consumption water heating, warm climate	kWh	1123
Seasonal space heating energy efficiency, cold climate	%	183 / 140
Water heating energy efficiency, cold climate	%	91
Seasonal space heating energy efficiency, warm climate	%	174 / 133
Water heating energy efficiency, warm climate	%	91
Sound power level $L_{\text{WA}}$ outdoors	dB	-

## Data for energy efficiency of the package

Model		F730
Temperature application	°C	35 / 55
Controller, class		VI
Controller, contribution to efficiency	%	4
Seasonal space heating energy efficiency of the package, average climate	%	176 / 136
Seasonal space heating energy efficiency class of the package, average climate		<b>A+++ / A++</b>
Seasonal space heating energy efficiency of the package, cold climate	%	187 / 144
Seasonal space heating energy efficiency of the package, warm climate	%	178 / 137

The reported efficiency of the package also takes the controller into account. If an external supplementary boiler or solar heating is added to the package, the overall efficiency of the package should be recalculated.



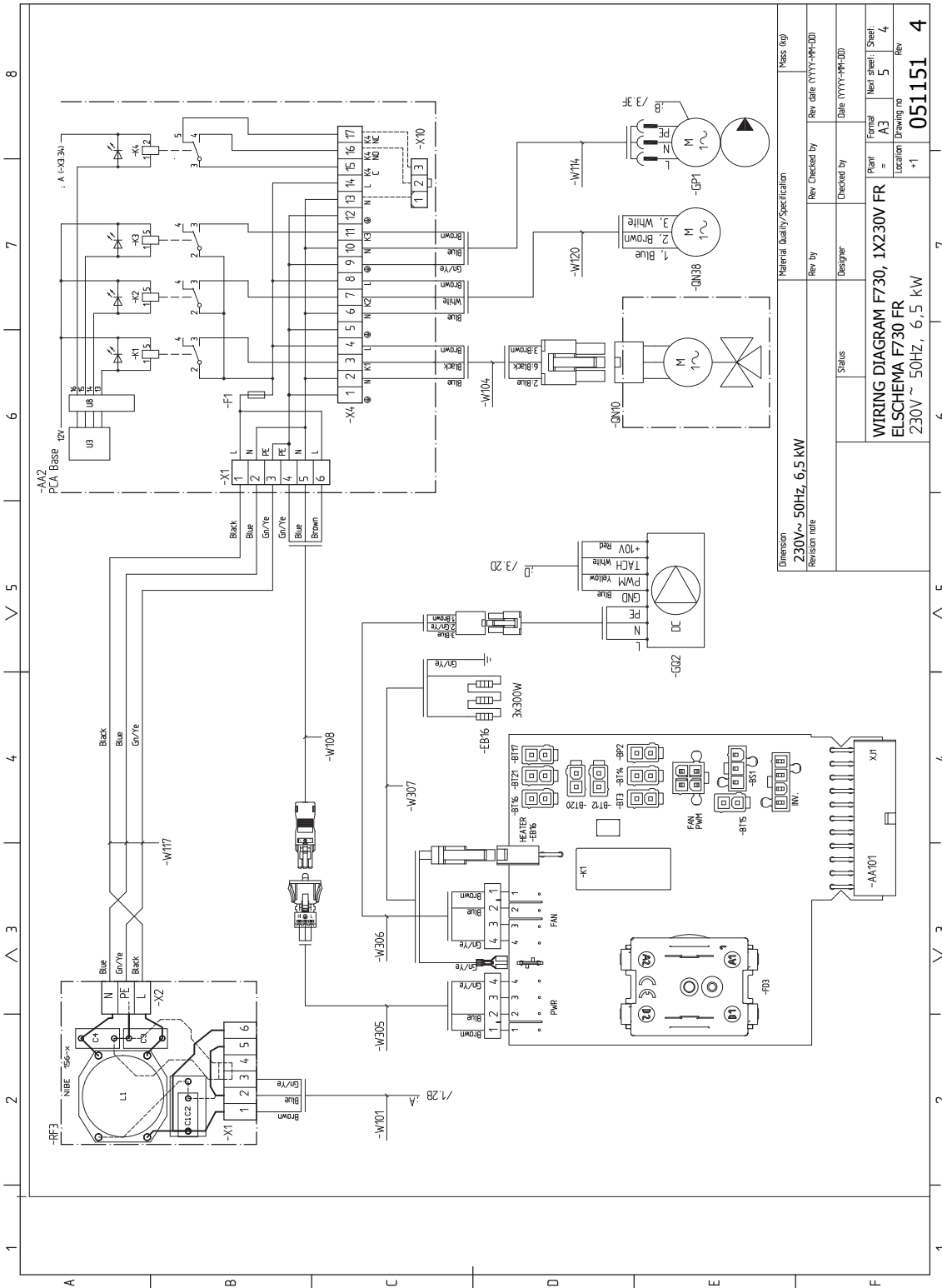
## Technical documentation

Model				F730							
Type of heat pump				<input type="checkbox"/> Air-water <input checked="" type="checkbox"/> Exhaust-water <input type="checkbox"/> Brine-water <input type="checkbox"/> Water-water							
Low-temperature heat pump				<input type="checkbox"/> Yes <input checked="" type="checkbox"/> No							
Integrated immersion heater for additional heat				<input checked="" type="checkbox"/> Yes <input type="checkbox"/> No							
Heat pump combination heater				<input checked="" type="checkbox"/> Yes <input type="checkbox"/> No							
Climate				<input checked="" type="checkbox"/> Average <input type="checkbox"/> Cold <input type="checkbox"/> Warm							
Temperature application				<input checked="" type="checkbox"/> Average (55 °C) <input type="checkbox"/> Low (35 °C)							
Applied standards				EN14825, EN14511, EN16147, EN12102							
<b>Rated heat output</b>		Prated	4,5	kW	<b>Seasonal space heating energy efficiency</b>		$\eta_s$	132	%		
<i>Declared capacity for space heating at part load and at outdoor temperature <math>T_j</math></i>				<i>Declared coefficient of performance for space heating at part load and at outdoor temperature <math>T_j</math></i>							
$T_j = -7\text{ °C}$	Pdh	4.0	kW	$T_j = -7\text{ °C}$	COPd	2.3	-				
$T_j = +2\text{ °C}$	Pdh	2.4	kW	$T_j = +2\text{ °C}$	COPd	3.4	-				
$T_j = +7\text{ °C}$	Pdh	1.6	kW	$T_j = +7\text{ °C}$	COPd	4.4	-				
$T_j = +12\text{ °C}$	Pdh	1.7	kW	$T_j = +12\text{ °C}$	COPd	4.2	-				
$T_j = \text{biv}$	Pdh	4.0	kW	$T_j = \text{biv}$	COPd	2.3	-				
$T_j = \text{TOL}$	Pdh	3.6	kW	$T_j = \text{TOL}$	COPd	2.3	-				
$T_j = -15\text{ °C}$ (if TOL < -20 °C)	Pdh		kW	$T_j = -15\text{ °C}$ (if TOL < -20 °C)	COPd		-				
Bivalent temperature				$T_{\text{biv}}$	-7	°C	Min. outdoor air temperature		TOL	-10	°C
Cycling interval capacity				P <sub>cy</sub>		kW	Cycling interval efficiency		COP <sub>cy</sub>		-
Degradation coefficient				C <sub>dh</sub>	0.97	-	Max supply temperature		WTOL	60	°C
<i>Power consumption in modes other than active mode</i>				<i>Additional heat</i>							
Off mode		P <sub>OFF</sub>	0.003	kW	Rated heat output		P <sub>sup</sub>	0.9	kW		
Thermostat-off mode		P <sub>TO</sub>	0.02	kW							
Standby mode		P <sub>SB</sub>	0.02	kW	Type of energy input		Electric				
Crankcase heater mode		P <sub>CK</sub>	0.00	kW							
<i>Other items</i>											
Capacity control		Variable			Rated airflow (air-water)			180	m <sup>3</sup> /h		
Sound power level, indoors/outdoors		L <sub>WA</sub>	44 / -	dB	Nominal heating medium flow				m <sup>3</sup> /h		
Annual energy consumption		Q <sub>HE</sub>	2,750	kWh	Brine flow brine-water or water-water heat pumps				m <sup>3</sup> /h		
<i>For heat pump combination heater</i>											
<b>Declared load profile for water heating</b>				L		<b>Water heating energy efficiency</b>		$\eta_{\text{wh}}$	91	%	
Daily energy consumption		Q <sub>elec</sub>	5.11	kWh	Daily fuel consumption		Q <sub>fuel</sub>		kWh		
Annual energy consumption		AEC	1,123	kWh	Annual fuel consumption		AFC		GJ		
<b>Contact information</b>		<b>NIBE Energy Systems – Box 14 – Hannabadsvägen 5 – 285 21 Markaryd – Sweden</b>									



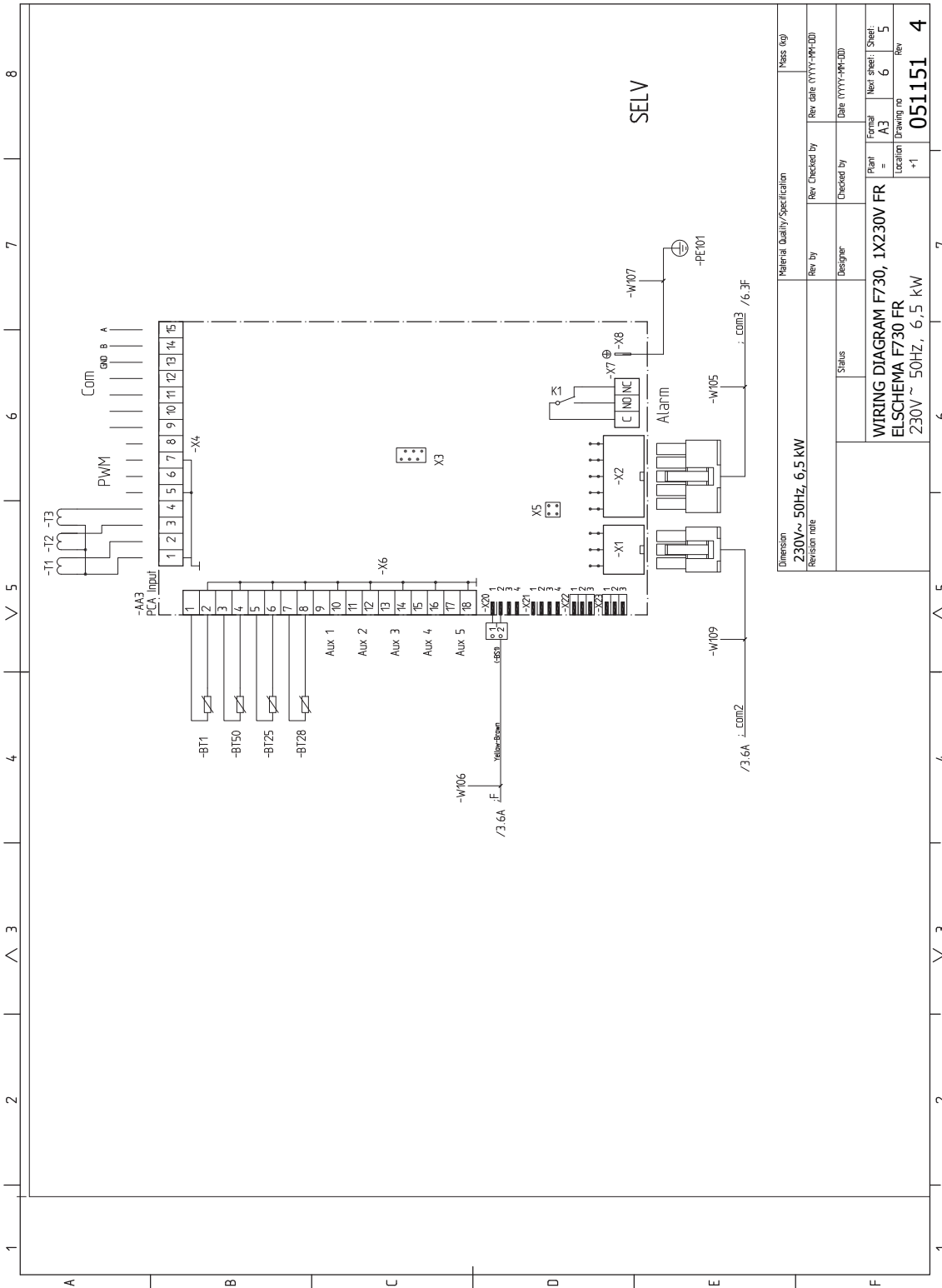






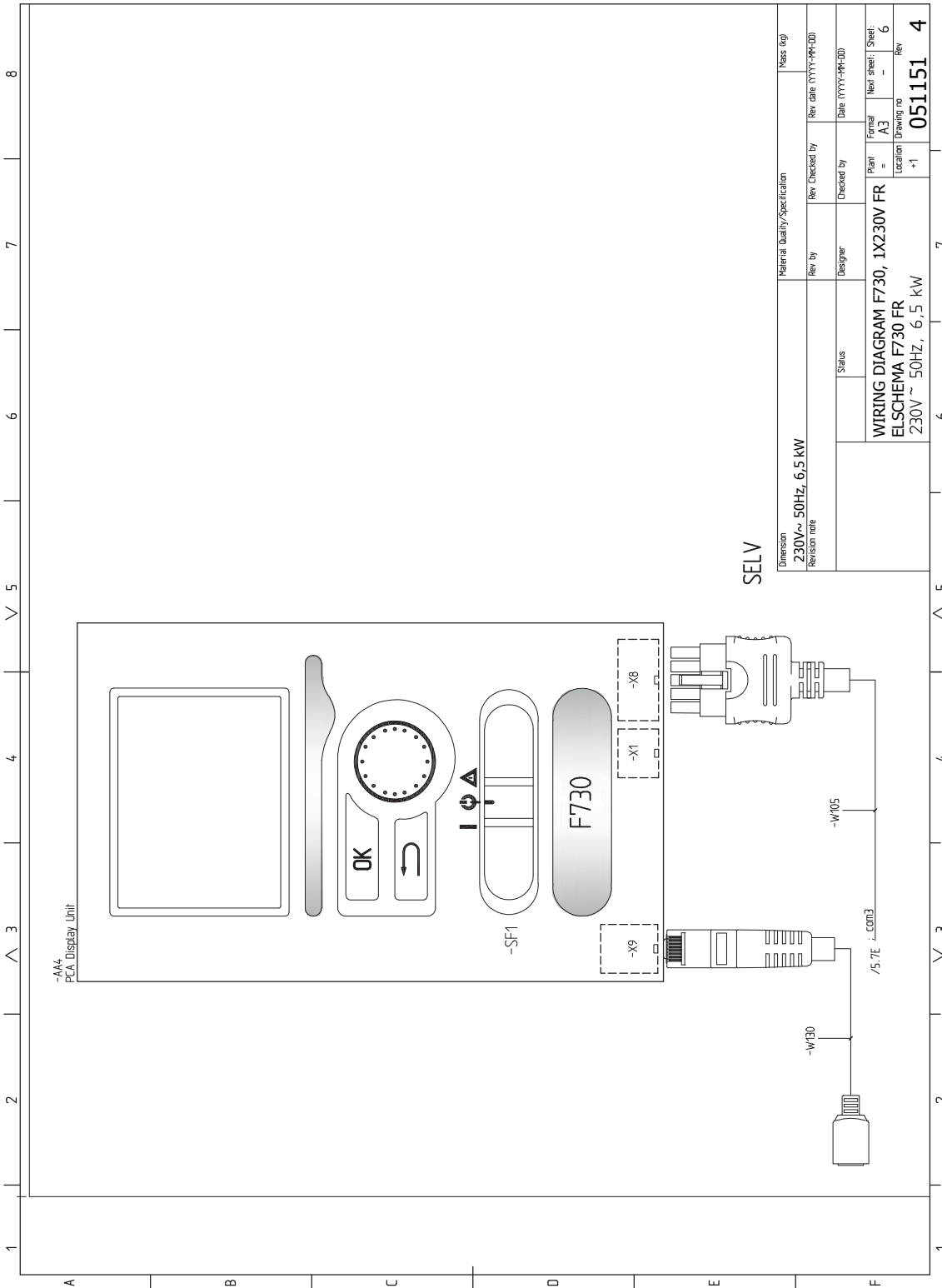
Material Quality/Specification		Revision note	
Dimension	230V~ 50Hz, 6,5 kW	Rev. by	Rev. checked by
Revision note		Designer	Checked by
		Status	Date (YYYY-MM-DD)
		Formal	Rev. sheet: Sheet:
		Location	Drawing no
		Rev	051151
		Rev	4

WIRING DIAGRAM F730, 1X230V FR  
 ELSHEMA F730 FR  
 230V ~ 50Hz, 6,5 kW



Material Quality/Specification		Mass (kg)	
Dimension	230V~ 50Hz, 6,5 kW	Rev. by	Rev. checked by
Revision note		Designer	Checked by
		Status	Date (YYYY-MM-DD)
		Plant	Formal
		Location	Revision
		+1	051151
			4

WIRING DIAGRAM F730, 1X230V FR  
 ELSHEMA F730 FR  
 230V ~ 50Hz, 6,5 kW



# 13 Item register

## Item register

### A

Accessibility, electrical connection, 20  
Accessories, 51  
Alarm, 49  
Assembly, 7

### B

Back button, 33

### C

Cable lock, 20  
Cold and hot water, 14  
Commissioning and adjusting, 29  
    Filling and venting, 29  
    Preparations, 29  
    Start guide, 30  
    Start-up and inspection, 30  
Connecting accessories, 28  
Connecting cold and hot water, 14  
Connecting the climate system, 14  
Connections, 21  
Control, 33, 37  
    Control - Introduction, 33  
    Control - Menus, 37  
Control - Introduction, 33  
    Display unit, 33  
    Menu system, 34  
Control knob, 33  
Control - Menus, 37  
    Menu 5 - SERVICE, 39

### D

Delivery and handling, 7  
    Assembly, 7  
    Installation area, 7  
    Removing parts of the insulation, 9  
    Removing the covers, 8  
    Supplied components, 8  
    Transport, 7  
Dimensions and pipe connections, 13  
Dimensions and setting-out coordinates, 52  
Display, 33  
Display unit, 33  
    Back button, 33  
    Control knob, 33  
    Display, 33  
    OK button, 33  
    Status lamp, 33  
    Switch, 33  
Disturbances in comfort, 49  
    Alarm, 49  
    Manage alarm, 49  
    Troubleshooting, 49  
Draining the climate system, 45  
Draining the hot water heater, 45

### E

Electrical addition - maximum output, 23  
Electrical circuit diagram, 58  
Electrical connections, 19  
    Accessibility, electrical connection, 20  
    Cable lock, 20  
    Connecting accessories, 28  
    Connections, 21  
    Electrical addition - maximum output, 23  
    External connection options, 25  
    General, 19  
    Load monitor, 25  
    Miniature circuit-breaker, 19

    Optional connections, 25  
    Outdoor sensor, 21  
    Power connection, 21  
    Removing the cover, base board, 20  
    Removing the cover, immersion heater circuit board, 20  
    Removing the hatch, input circuit board, 20  
    Room sensor, 22  
    Settings, 23  
    Standby mode, 23  
    Temperature limiter, 19  
    Uplink, 25

Energy labelling, 56

    Data for energy efficiency of the package, 56  
    Information sheet, 56  
    Technical documentation, 57

Exhaust air duct, 18

External connection options, 25

    Possible selection for AUX inputs, 25  
    Possible selections for AUX output, 27

### F

Filling and venting, 29  
    Filling the climate system, 29  
    Filling the hot water heater, 29  
    Venting the climate system, 29  
Filling the climate system, 29  
Filling the hot water heater, 29

### H

Heating medium side, 14  
Help menu, 30, 36

### I

Important information, 4  
    Recovery, 5  
Inspection of the installation, 6  
Installation alternative, 15  
    Connecting hot water circulation, 17  
    Extra hot water heaters, 16  
    Two or more climate systems, 17  
    Water heater with immersion heater, 16  
    Water heater without immersion heater, 16  
Installation area, 7

### M

Manage alarm, 49  
Marking, 4  
Menu 5 - SERVICE, 39  
Menu system, 34  
    Help menu, 30, 36  
    Operation, 35  
    Scroll through the windows, 36  
    Selecting menu, 35  
    Selecting options, 35  
    Setting a value, 35  
    Use the virtual keyboard, 36  
Miniature circuit-breaker, 19

### O

OK button, 33  
Operation, 35  
Optional connections, 25  
Outdoor sensor, 21

### P

Pipe and ventilation connections, 12  
    Cold and hot water, 14  
    Connecting cold and hot water, 14  
    Connecting the climate system, 14  
    Dimensions and pipe connections, 13



- Exhaust air duct, 18
- General pipe connections, 12
- Heating medium side, 14
- Installation alternative, 15
- Maximum boiler and radiator volumes, 12
- Pipe dimensions, 13
- Setting out dimensions, 13
- Symbol key, 14

Pipe dimensions, 13

Possible selection for AUX inputs, 25

Possible selections for AUX output, 27

Power connection, 21

Preparations, 29

## **R**

- Remove parts of the insulation, 9
- Removing the cover, base board, 20
- Removing the cover, immersion heater circuit board, 20
- Removing the covers, 8
- Removing the hatch, input circuit board, 20
- Room sensor, 22

## **S**

- Safety information
  - Inspection of the installation, 6
  - Marking, 4
  - Serial number, 5
  - Symbols, 4
  - Symbols on F730, 4
- Scroll through the windows, 36
- Selecting menu, 35
- Selecting options, 35
- Serial number, 5
- Service, 45
  - Service actions, 45
- Service actions, 45
  - Draining the climate system, 45
  - Draining the hot water heater, 45
  - Standby mode, 45
  - Temperature sensor data, 46
  - USB service outlet, 47
- Setting a value, 35
- Setting out dimensions, 13
- Settings, 23
- Standby mode, 45
  - Power in emergency mode, 23
- Start guide, 30
- Start-up and inspection, 30–31
  - Setting the pump speed, 31
  - Setting the ventilation, 31
- Status lamp, 33
- Supplied components, 8
- Switch, 33
- Symbol key, 14
- Symbols, 4
- Symbols on F730, 4

## **T**

- Technical data, 52
  - Dimensions and setting-out coordinates, 52
  - Electrical circuit diagram, 58
  - Technical Data, 54
- Technical Data, 54
- Temperature limiter, 19
  - Resetting, 19
- Temperature sensor data, 46
- The heat pump design, 10
  - Component locations, 10
  - List of components, 11
- Transport, 7
- Troubleshooting, 49

## **U**

- Uplink, 25
- USB service outlet, 47
- Use the virtual keyboard, 36

## **V**

- Venting the climate system, 29

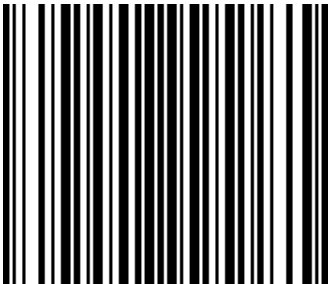


# Contact information

- AT** **KNV Energietechnik GmbH**, Gahberggasse 11, AT-4861 Schörfling  
Tel: +43 (0)7662 8963 E-mail: mail@knv.at www.knv.at
- CH** **NIBE Wärmetechnik c/o ait Schweiz AG**, Industriepark, CH-6246 Altishofen  
Tel: +41 58 252 21 00 E-mail: info@nibe.ch www.nibe.ch
- CZ** **Druzstevni zavody Drazice s.r.o.**, Drazice 69, CZ - 294 71 Benátky nad Jizerou  
Tel: +420 326 373 801 E-mail: nibe@nibe.cz www.nibe.cz
- DE** **NIBE Systemtechnik GmbH**, Am Reiherpfahl 3, 29223 Celle  
Tel: +49 (0)5141 7546-0 E-mail: info@nibe.de www.nibe.de
- DK** **Vølund Varmeteknik A/S**, Member of the Nibe Group, Brogårdsvej 7, 6920 Videbæk  
Tel: +45 97 17 20 33 E-mail: info@volundvt.dk www.volundvt.dk
- FI** **NIBE Energy Systems OY**, Juurakkotie 3, 01510 Vantaa  
Tel: +358 (0)9-274 6970 E-mail: info@nibe.fi www.nibe.fi
- FR** **NIBE Energy Systems France Sarl**, Zone industrielle RD 28, Rue du Pou du Ciel, 01600 Reyrieux  
Tel : 04 74 00 92 92 E-mail: info@nibe.fr www.nibe.fr
- GB** **NIBE Energy Systems Ltd**, 3C Broom Business Park, Bridge Way, S419QG Chesterfield  
Tel: +44 (0)845 095 1200 E-mail: info@nibe.co.uk www.nibe.co.uk
- NL** **NIBE Energietechniek B.V.**, Postbus 634, NL 4900 AP Oosterhout  
Tel: 0168 477722 E-mail: info@nibenl.nl www.nibenl.nl
- NO** **ABK AS**, Brobekkveien 80, 0582 Oslo, Postadresse: Postboks 64 Vollebakk, 0516 Oslo  
Tel: +47 23 17 05 20 E-mail: post@abkklima.no www.nibe.no
- PL** **NIBE-BIAWAR Sp. z o. o.** Aleja Jana Pawła II 57, 15-703 BIALYSTOK  
Tel: +48 (0)85 662 84 90 E-mail: sekretariat@biawar.com.pl www.biawar.com.pl
- RU** © "EVAN" 17, per. Boynovskiy, RU-603024 Nizhny Novgorod  
Tel: +7 831 419 57 06 E-mail: kuzmin@evan.ru www.nibe-evan.ru
- SE** **NIBE AB Sweden**, Box 14, Hannabadsvägen 5, SE-285 21 Markaryd  
Tel: +46 (0)433 73 000 E-mail: info@nibe.se www.nibe.se

For countries not mention in this list, please contact Nibe Sweden or check [www.nibe.eu](http://www.nibe.eu) for more information.

NIBE AB Sweden  
Hannabadsvägen 5  
Box 14  
SE-285 21 Markaryd  
info@nibe.se  
www.nibe.eu



431700